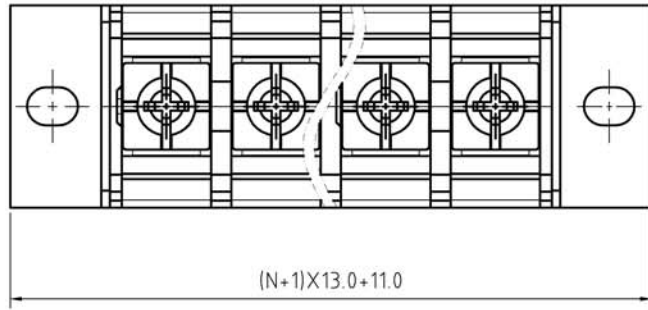
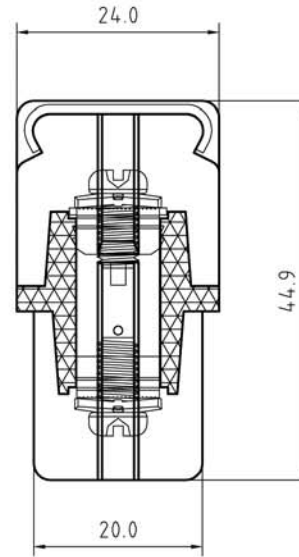
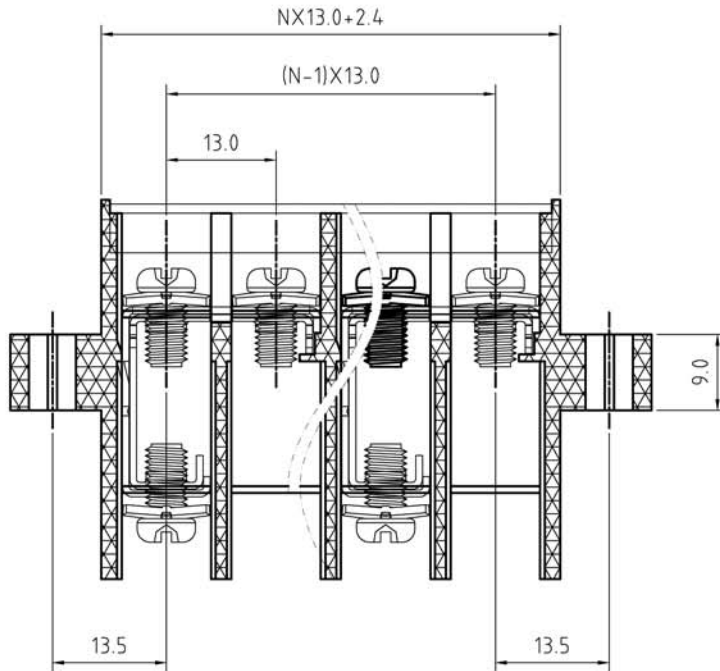


SIGN	DESCRIPTION	DATE	APPROVER



N=Number of contacts



Technical Data:

Material:

Terminals: Copper Alloy, TiN Plated

Terminal screw: Steel galvanized with Cr3+ plated

Insulator body(housing): Polyamide (Glass filled)(UL94V-0)

Electrical

Voltage rating: 600VAC

Current rating: 50 Amps/way max

Contact resistance: 20m Ω (max)

Withstanding Voltage: 2500VAC(1min) Test time=60sec/1pcs

Wire range: 8-22AWG

Mechanical:

Torque: 18kgf.cm/M5

Operating temperature: -40°C to +105°C

Soldering reliability:

Test temperature= 250°C±10°C

5 seconds max

Ordering Information:

U650 -0 -Q XX - X X X 4

A Black Pa66
B Black Pbt

1 With flange
2 Without flange

1 "-"Screw Cr³⁺
2 "-/+ "Screw Cr³⁺
3 "-"Screw Ni Plated
4 "-/+ "Screw Ni Plated

02 2Pin
To To
32 32Pin

WELINK 上海拓尔普电子科技有限公司
Welink International Co., LTD.

TOLERANCE X. ±0.50 X.X ±0.30 X.XX ±0.20 X° ±1°	APPROVED:	NAME: U650-0 Pitch 13.0mm With flange series 2进1出
	CHECKED:	
	DRAWN: YangMing 2014,07,08	
	UNITS: mm	REV: A
	SCALE: 1 / 1.5	PAGE: 1 / 1
		PART NO: U6500QXX21X4
		DWG NO: 9U6500Q11A