

1

2

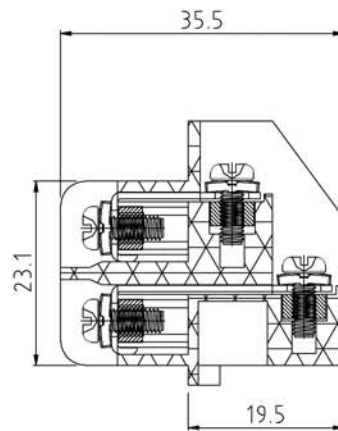
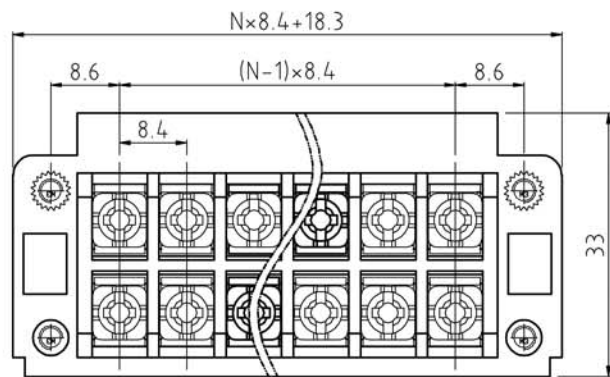
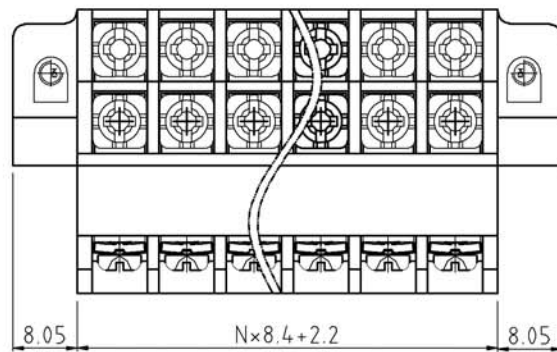
3

4

5

SIGN	DESCRIPTION	DATE	APPROVER

N=Number of contacts



Technical Data:

Material:

- Terminals: Copper Alloy Tin plated
- Terminal screw: Steel galvanized with Cr3+ plated
- Nut: steel galvanized with Cr3+ plated
- Ear clip nut: Copper Alloy with Ni plated
- Insulator body(housing): PC (Glass filled)

Electrical

- Voltage rating: 250VAC
- Current rating: 15 Amps/way max
- Contact resistance: 20m Ω (max)
- Withstanding Voltage: 2500VAC(1min) Test time=60sec/1pcs
- Wire range: 16-22AWG

Mechanical:

- Torque: 6kgf.cm/M3
- Operating temperature: -40°C to +105°C
- Soldering reliability:
 - Test temperature= 250°C±10°C
 - 5 seconds max

Ordering Information:

U575 - A - 8 XX - X 0 X 0

- 1 "-"Screw Cr³⁺
- 2 "-/+ "Screw Cr³⁺
- 3 "-"Screw Ni Plated
- 4 "-/+ "Screw Ni Plated

- 02 2Pin
- To To
- 26 26Pin

WELINK 上海拓尔普电子科技有限公司
 Welink International Co.,LTD.

TOLERANCE X ±0.50 X.X ±0.30 X.XX ±0.20 X° ±1°	APPROVED:	NAME: U575-A Pitch-8.4mm -series
	CHECKED:	
	DRAWN: Ling Yu 2012,11,02	
	UNITS: mm	REV: A
	SCALE: 1.5 / 1	PAGE: 1 / 1
		PART NO: U575A8XX20X0
		DWG NO: 9U575A001A

1

2

3

4

5