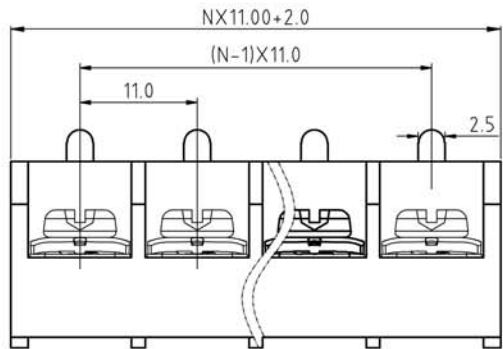
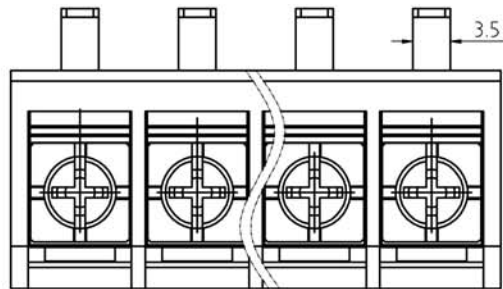
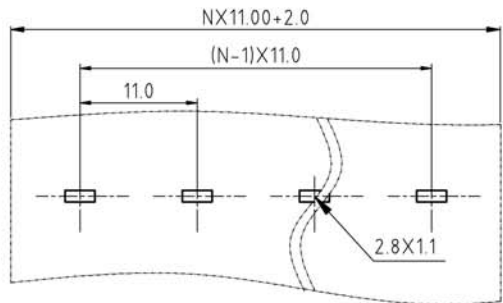


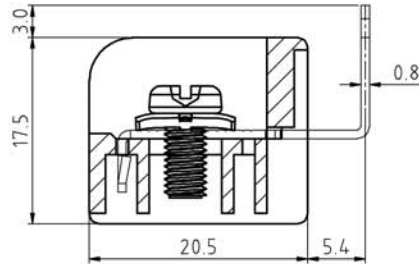
SIGN	DESCRIPTION	DATE	APPROVER



N=Number of contacts



P. C. B LAYOUT



Technical Data:

Material:

Terminals: Copper Alloy Tin plated

Terminal screw: Steel galvanized with Cr3+ plated

Insulator body(housing): Polyamide (Glass filled)(UL94V-0)

Electrical

Voltage rating: 300VAC

Current rating: 25 Amps/way max

Contact resistance: 20m Ω (max)

Withstanding Voltage: 2500VAC(1min) Test time=60sec/1pcs

Wire range: 12-22AWG

Mechanical:

Torque: 18kgf.cm/M4.0

Operating temperature: -40°Cto+105°C

Soldring reliability:

Test temperature= 250°C±10°C

5 seconds max

Ordering Information:

U355 - 5 - L XX - X X X 0

A Black Pa66

B Black Pbt

1 With flange

2 Without flange

1 "- Screw Cr³⁺

2 "-/+ Screw Cr³⁺

3 "- Screw Ni Plated

4 "-/+ Screw Ni Plated

02 2Pin

To To

32 32Pin

WELINK 上海拓尔普电子科技有限公司
Welink International Co., LTD.

TOLERANCE	APPROVED:	NAME:
X ±0.50	CHECKED:	U355-5 Pitch-11.0mm
X.X ±0.30	DRAWN: Yang Ming	-Without flange
X.XX ±0.20	2011,11,20	series
X° ±↑	UNITS: mm	REV: A
	SCALE: 2 / 1	PAGE: 1 / 1
		PART NO: U355LXX22X0
		DWG NO: 9U3555002A