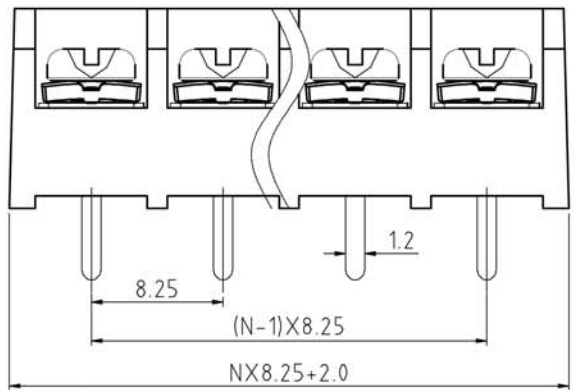
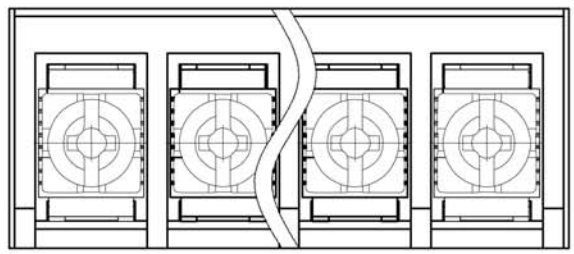
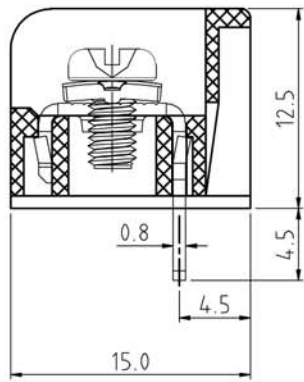
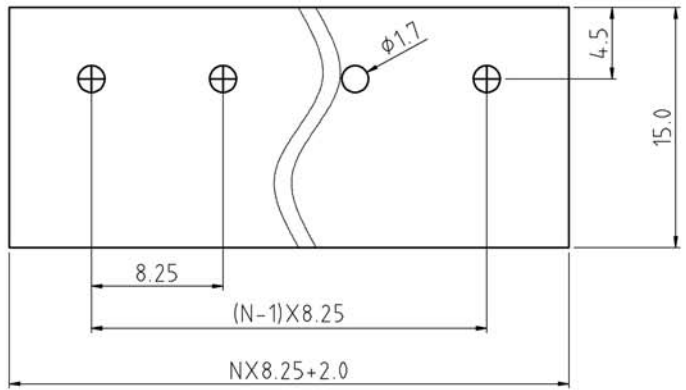


SIGN	DESCRIPTION	DATE	APPROVER

N=Number of contacts



P.C.B LAYOUT



**Technical Data:**  
**Material:**  
 Terminals: Copper Alloy Tin plated  
 Terminal screw: Steel galvanized with Cr3+ plated  
 Insulator body(housing): Polyamide (Glass filled)(UL94V-0)  
**Electrical**  
 Voltage rating: 300VAC  
 Current rating: 20 Amps/way max  
 Contact resistance: 20m Ω (max)  
 Withstanding Voltage: 2500VAC(1min) Test time=60sec/1pcs  
 Wire range: 12-22AWG  
**Mechanical:**  
 Torque: 10kgf.cm/M3.0  
 Operating temperature: -40°C to +105°C  
 Soldering reliability:  
 Test temperature= 250°C±10°C  
 5 seconds max  
**Ordering Information:**  
 U333 -2 - H XX - X X X 0  
 A Black Pa66  
 B Black Pbt  
 1 With flange  
 2 Without flange  
 1 "-"Screw Cr<sup>3+</sup>  
 2 "-/+ "Screw Cr<sup>3+</sup>  
 3 "-"Screw Ni Plated  
 4 "-/+ "Screw Ni Plated  
 02 2Pin  
 To To  
 32 32Pin

**WELINK** 上海拓尔普电子科技有限公司  
 Welink International Co., LTD.

TOLERANCE	APPROVED:	NAME:
X ±0.50	CHECKED:	U333-2 Pitch 8.25mm
X.X ±0.30	DRAWN: Yang Ming 2012,06,12	Without flange series
X.XX ±0.20	UNITS: mm REV: A	PART NO: U3332HXX22X0
X° ±1°	SCALE: 3 / 1 PAGE: 1 / 1	DWG NO: 9U3332H02A