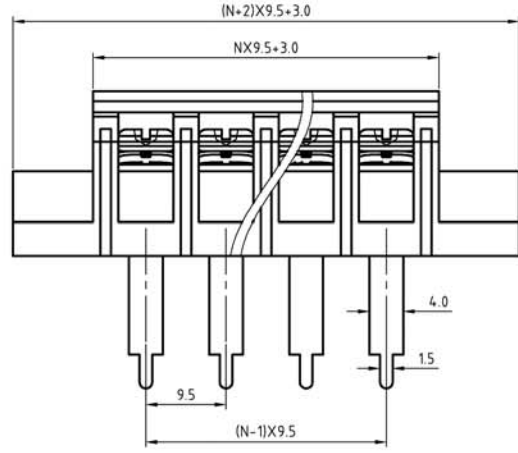
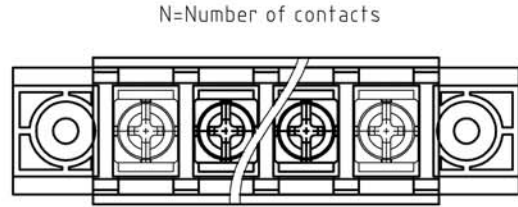
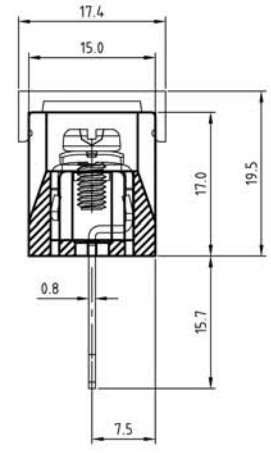
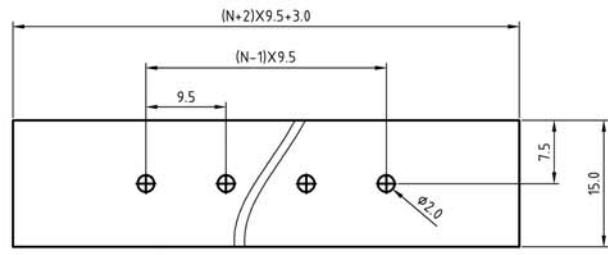


SIGN	DESCRIPTION	DATE	APPROVER



P.C.B LAYOUT



Technical Data:  
Material:  
Terminals:Copper Alloy.Tin Plated  
Terminal screw: Steel galvanized with Cr3+ plated  
Cover:PC(UL94V-0)  
Insulator body(housing): Polyamide (Glass filled)(UL94V-0)  
Electrical  
Voltage rating: 300VAC  
Current rating: 20 Amps/way max  
Contact resistance: 20m Ω (max)  
Withstanding Voltage: 2500VAC(1min) Test time=60sec/1pcs  
Wire range: 14-22AWG  
Mechanical:  
Torque: 12kgf.cm/M3.5 Operating temperature: -40°Cto+105°C  
Soldering reliability:  
Test temperature= 250°C±10°C  
5 seconds max  
Ordering Information:

U250 -A- 9 XX - X X X 0

- A Black Pa66
- B Black Pbt
- 1 With flange
- 2 Without flange
- 1 "-"Screw Cr<sup>3+</sup>
- 2 "-/+ "Screw Cr<sup>3+</sup>
- 3 "-"Screw Ni Plated
- 4 "-/+ "Screw Ni Plated
- 02 2Pin
- To To
- 32 32Pin

**WELINK** 上海拓尔普电子科技有限公司  
Welink International Co., LTD.

TOLERANCE	APPROVED:	NAME: U250-A Pitch 9.5mm series With flange
X. ±0.50	CHECKED:	
X.X ±0.30	DRAWN: Yang Ming 2013,10,21	
X.XX ±0.20	UNITS: mm REV: A	PART NO: U250A9XX21B0
X° ±1°	SCALE: 1.5/ 1 PAGE: 1 / 1	DWG NO: 9U250A101A