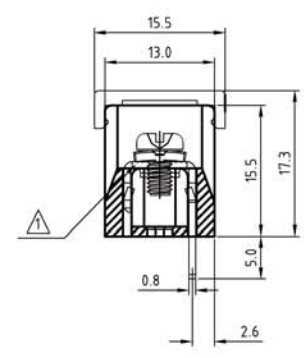
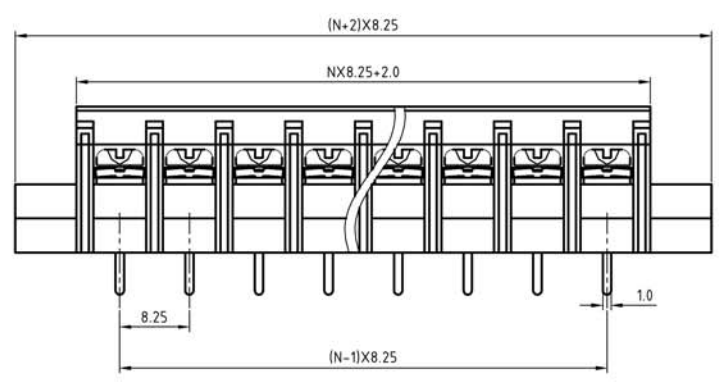
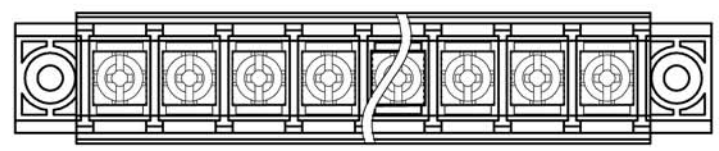
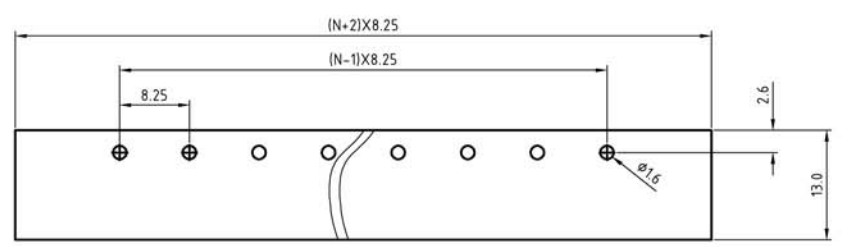


SIGN	DESCRIPTION	DATE	APPROVER
△	变更前是脚子用U1412, 变更后脚子用U2402新开	2014.12.11	YangMing

N=Number of contacts



P.C.B LAYOUT



Technical Data:

Material:

Terminals: Copper Alloy, Tin Plated  
Terminal screw: Steel galvanized with Cr3+ plated  
Cover: PC (UL94V-0)

Insulator body (housing): Polyamide (Glass filled) (UL94V-0)

Electrical

Voltage rating: 250VAC  
Current rating: 20 Amps/way max  
Contact resistance: 20mΩ (max)  
Withstanding Voltage: 2500VAC(1min) Test time=60sec/1pcs  
Wire range: 14-22AWG

Mechanical:

Torque: 7.0kgf.cm/M3.0  
Operating temperature: -40°C to +105°C  
Soldering reliability:  
Test temperature= 250°C±10°C  
5 seconds max

Ordering Information:

U240 -2 - H XX - X X X 0

- A Black Pa66
- B Black Pbt
- 1 With flange
- 2 Without flange
- 1 "-" Screw Cr<sup>3+</sup>
- 2 "-/+ " Screw Cr<sup>3+</sup>
- 3 "-" Screw Ni Plated
- 4 "-/+ " Screw Ni Plated
- 02 2Pin
- To To
- 32 32Pin

**WELINK** 上海拓尔普电子科技有限公司  
Welink International Co., LTD.

TOLERANCE X. ±0.50 X.X ±0.30 X.XX ±0.20 X° ±1°	APPROVED:	NAME: U240-2 Pitch 8.25mm series With flange
	CHECKED:	
	DRAWN: Yang Ming 2014,12,11	
UNITS: mm	REV: B	PART NO: U2402HXX21B0
SCALE: 1.5 / 1	PAGE: 1 / 1	DWG NO: 9U2402101B