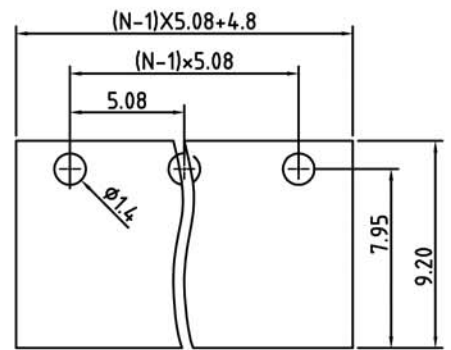
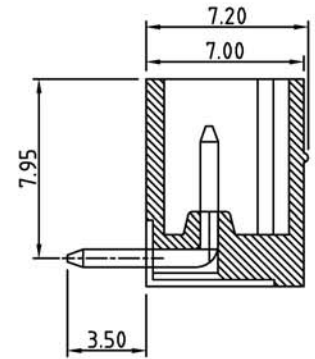
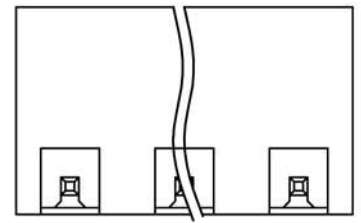
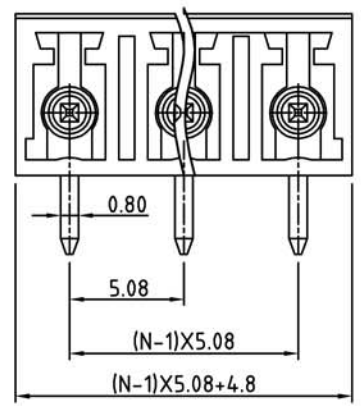


SIGN	DESCRIPTION	DATE	APPROVER
△	-----	2006,10,05	TONY



Technical Data:
Material:
Solder Pin: Copper Alloy Tin plated
Insulator body(housing): Polyamide(Glass filled)(UL94V-0)
Electrical
Voltage rating: 300VAC
Current rating: 12 Amps/way max
Withstanding Voltage: 2500VAC(1min) Test time=60sec/1pcs
Mechanical:
Operating temperature: -40°C to +105°C
Soldering reliability:
Test temperature= 250°C±10°C
5 seconds max

Ordering Information:
F83-2-E XX 0 X X X 0 0 0 0

02	2Pin	5	Green
To	To	6	Blue
24	24Pin	A	Black

1	180°	0	Open
2	90°	1	Close
		2	Screw nut
		3	Square nut

WELINK 上海拓尔普电子科技有限公司
Welink International Co., LTD.

TOLERANCE X. ±0.50 X.X ±0.30 X.XX ±0.20 X° ±1°	APPROVED:	NAME: F83-2 Pitch 5.08mm -seriec 無耳 90度
	CHECKED:	
	DRAWN: Liren 2016,12,10	
	UNITS: mm REV: A	PART NO: F832EXX021X0000
	SCALE: 4 / 1 PAGE: 1 / 1	DWG NO: 9F832E001A