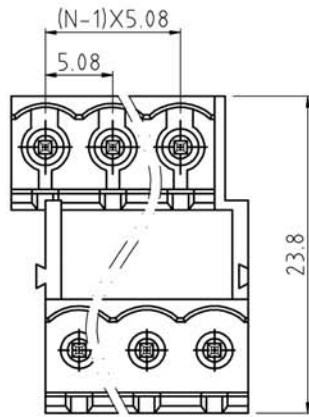
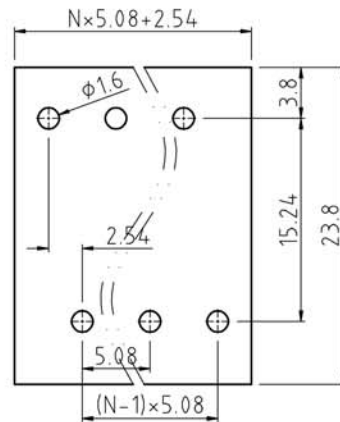


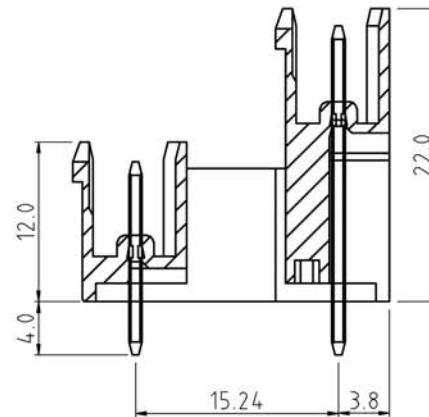
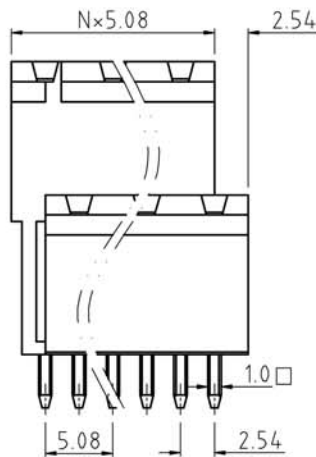
SIGN	DESCRIPTION	DATE	APPROVER



N=Number of contacts



PCB. LAYOUT



Technical Data:

Material:

Solder Pin: Copper Alloy with Tin plated
 Insulator body(housing): Polyamide
 (Glass filled)(UL94V-0)

Electrical

Voltage rating: 300VAC
 Current rating: 16A
 Withstanding Voltage: AC 2500V(1min)

Mechanical:

Using temperature Range: -40°C to +105°C
 Soldering temperature: +250°C, 5seconds Max.

Ordering Information:

F85-P-E XX-0 0 0 X 0

02 2Pin
 To To
 24 24Pin

5 Green
 6 Blue
 A Black

1 180°
 2 90°

0 Open
 1 Close
 2 Ear clip nut
 3 Square nut

WELINK 上海拓尔普电子科技有限公司
 Welink International Co., LTD.

TOLERANCE	APPROVED:	NAME:
X. ±0.50	CHECKED:	F85-P Pitch 5.08mm
X.X ±0.30	DRAWN: Ling Yu 2013,06,14	-Open Series 180°
X.XX ±0.20	UNITS: mm	REV: A
X° ±1°	SCALE: 2.5 / 1	PAGE: 1 / 1
		PART NO: F85PEXX100X0
		DWG NO: 9F85PE001A