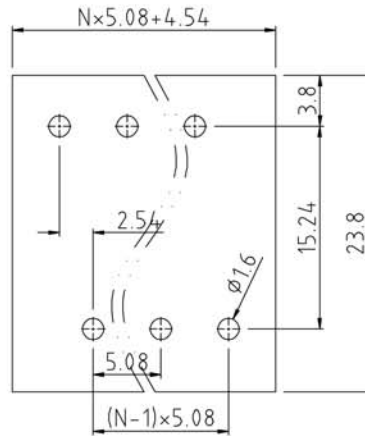
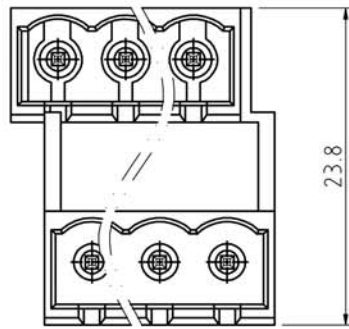
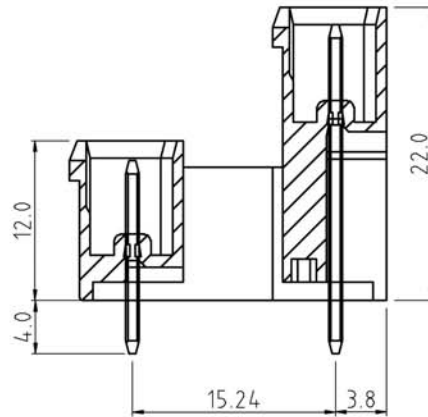
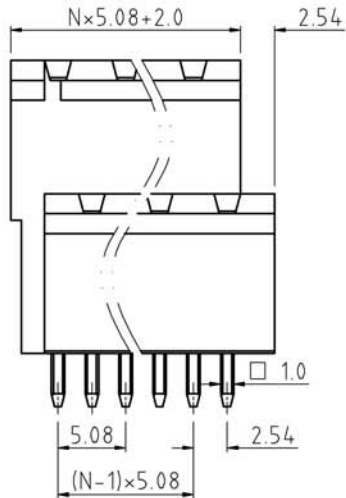


SIGN	DESCRIPTION	DATE	APPROVER



N=Number of contacts

PCB. LAYOUT



Technical Data:

Material:

Solder Pin: Copper Alloy with Tin plated

Insulator body(housing): Polyamide(Glass filled)(UL94V-0)

Electrical

Voltage rating: 300VAC

Current rating: 16A

Withstanding Voltage: AC 2500V(1min)

Mechanical:

Using temperature Range: -40°C to +105°C

Soldering temperature:+250°C,5seconds Max.

Ordering Information:

F85-P-E XX-0 0 1 X 0

02 2Pin
To To
24 24Pin

5 Green
6 Blue
A Black

1 180°
2 90°

0 Open
1 Close
2 Ear clip nut
3 Square nut

WELINK 上海拓尔普电子科技有限公司
Welink International Co., LTD.

TOLERANCE	APPROVED:	NAME:
X. ±0.50	CHECKED:	F85-P Pitch 5.08mm
X.X ±0.30	DRAWN: Ling Yu 2013,06,14	-Close Series 180°
X.XX ±0.20	UNITS: mm	REV: A
X° ±1°	SCALE: 2.5 / 1	PAGE: 1 / 1
		PART NO: F85PEXX101X0
		DWG NO: 9F85PE011A