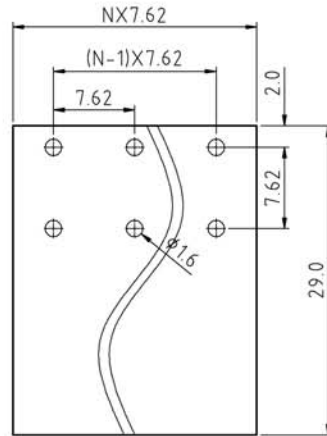
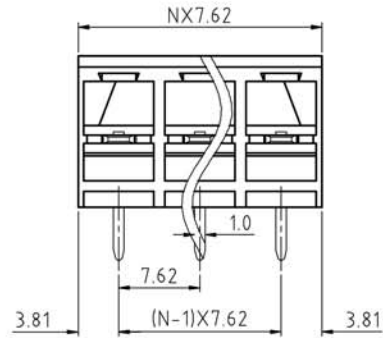
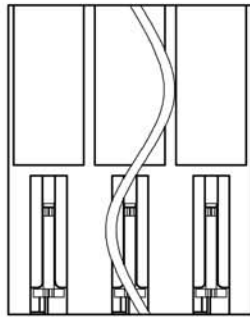


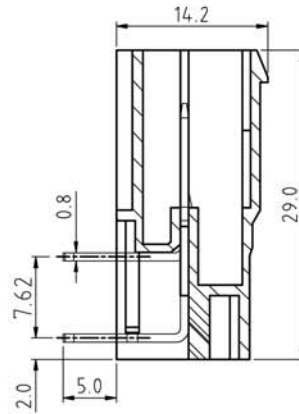
SIGN	DESCRIPTION	DATE	APPROVER



P.C.B. LAYOUT



N=Number of contacts



Technical Data:

Material:

Terminal: Copper Alloy Tin plated

Insulator body(housing): Polyamide(Glass filled)(UL94V-0)

Electrical

Voltage rating: 300VAC

Current rating: 32 Amps/way max

Withstanding Voltage: 2500VAC(1min) Test time=60sec/1pcs

Mechanical:

Operating temperature: -40°C to +105°C

Soldering reliability:

Test temperature= 250°C±10°C

5 seconds max

Ordering Information:

F87-7-G XX-0 0 0 X 0

- 5 Green
  - 6 Blue
  - 8 Grey
  - A Black
- 2 02
- 24 24

**WELINK** 上海拓尔普电子科技有限公司  
Welink International Co., LTD.

TOLERANCE	APPROVED:	NAME: F87 - 7 - Pitch 7.62mm
X ±0.50	CHECKED:	- Series
X.X ±0.30	DRAWN: Yang Ming 2012,06,20	
X.XX ±0.20	UNITS: mm	REV: A
X° ±1°	SCALE: 2 / 1	PAGE: 1 / 1
		PART NO: F877GXX000X0
		DWG NO: 9F877G001A