

1

2

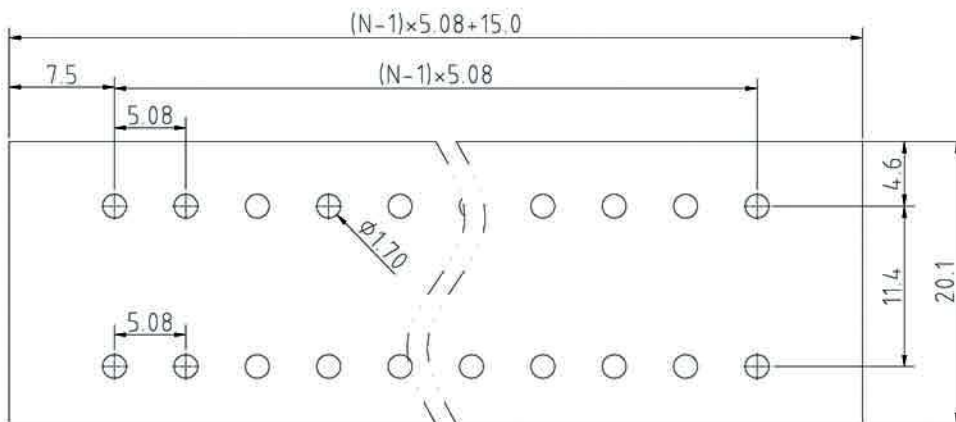
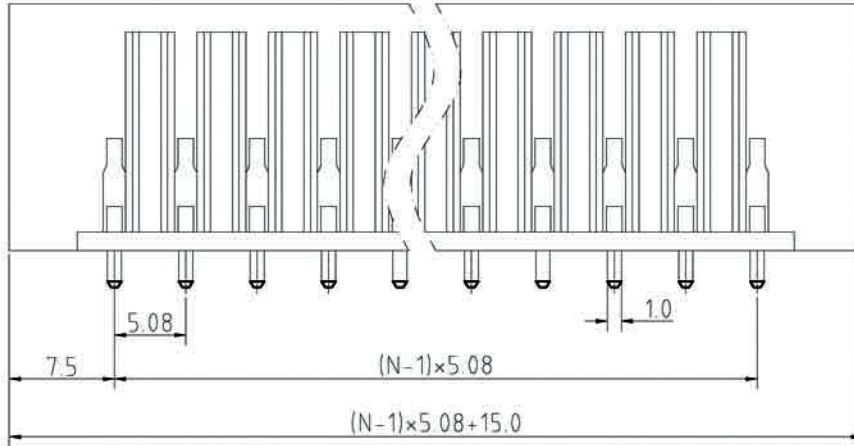
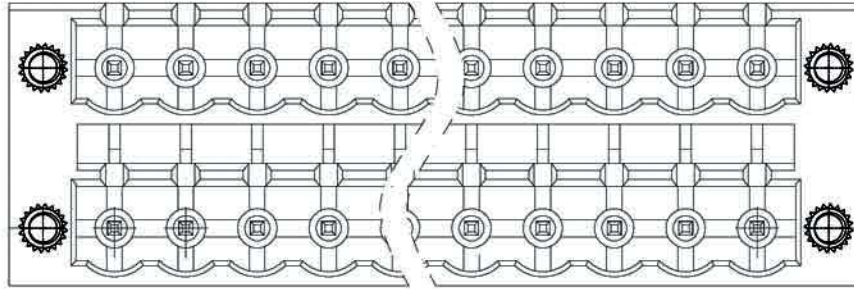
3

4

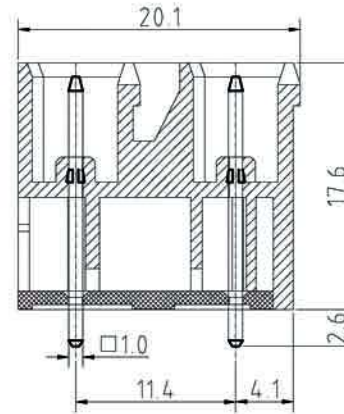
5

SIGN	DESCRIPTION	DATE	APPROVER

N=Number of contacts



P.C.B. LAYOUT



Technical Data:

Material:

Solder Pin: Copper Alloy with Tin plated
 Insulator body(housing): Polyamide
 (Glass filled)(UL94V-0)

Electrical

Voltage rating: 300VAC

Current rating: 16A

Withstanding Voltage: AC 2500V(1min)

Mechanical:

Using temperature Range: -40°C to $+105^{\circ}\text{C}$ Soldering temperature: $+250^{\circ}\text{C}$, 5seconds Max.

Ordering Information:

F85-R-E XX-0 0 0 X 0 0 0 0

02	2Pin	5	Green
To	To	6	Blue
24	24Pin	A	Black

0	180°	2	Screw nut
1	90°	3	Square nut
		4	W/Latch holder

WELINK

上海拓尔普电子科技有限公司

Welink International Co.,LTD.

TOLERANCE	APPROVED:	NAME:	F85-R Pitch 5.08mm
X. ± 0.50	CHECKED:		-Series-180°(Screw nut)
X.X ± 0.30	DRAWN: Ling Yu 2014,09,18	PART NO:	F85REXX002X0000
X.XX ± 0.20	UNITS: mm	REV: A	DWG NO: 9F85RE021A
X° $\pm \text{°}$	SCALE: 2.5 / 1	PAGE: 1 / 1	