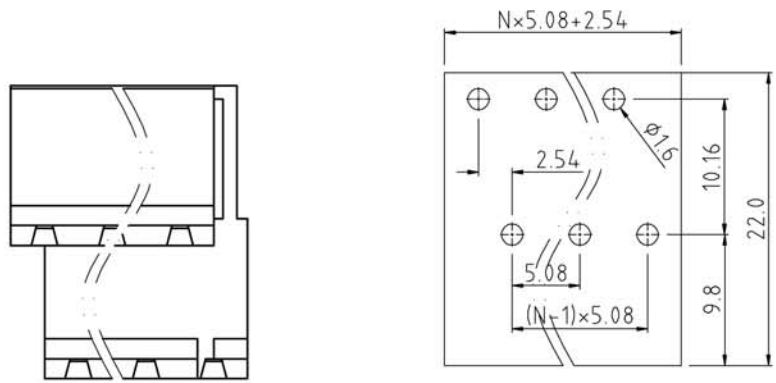
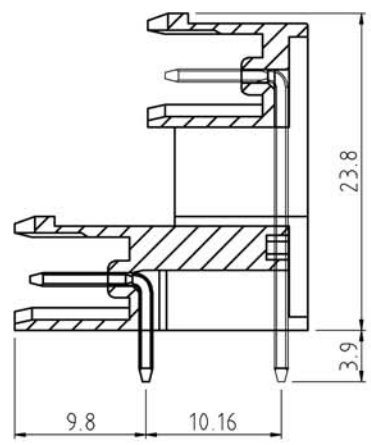
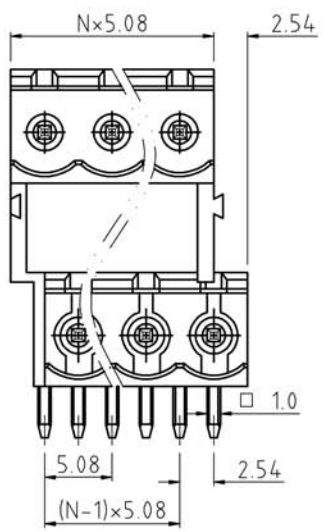


| SIGN | DESCRIPTION | DATE | APPROVER |
|------|-------------|------|----------|
| | | | |
| | | | |



N=Number of contacts

PCB. LAYOUT



Technical Data:
 Material:
 Solder Pin: Copper Alloy with Tin plated
 Insulator body(housing): Polyamide
 (Glass filled)(UL94V-0)
 Electrical
 Voltage rating: 300VAC
 Current rating: 16A
 Withstanding Voltage: AC 2500V(1min)
 Mechanical:
 Using temperature Range: -40°C to +105°C
 Soldering temperature:+250°C,5seconds Max.
 Ordering Information:

F85-P-E XX-0 0 0 X 0

| | | | |
|----|-------|---|-------|
| 02 | 2Pin | 5 | Green |
| To | To | 6 | Blue |
| 24 | 24Pin | A | Black |

| | | | |
|---|------|---|--------------|
| 1 | 180° | 0 | Open |
| 2 | 90° | 1 | Close |
| | | 2 | Ear clip nut |
| | | 3 | Square nut |

WELINK 上海拓尔普电子科技有限公司
 Welink International Co., LTD.

| | | |
|------------|---------------------------|--------------------------|
| TOLERANCE | APPROVED: | NAME: F85-P Pitch 5.08mm |
| X. ±0.50 | CHECKED: | -Open Series 90° |
| X.X ±0.30 | DRAWN: Ling Yu 2013,06,14 | |
| X.XX ±0.20 | UNITS: mm | REV: A |
| X° ±1° | SCALE: 2.5 / 1 | PAGE: 1 / 1 |
| | | PART NO: F85PEXX200X0 |
| | | DWG NO: 9F85PE002A |