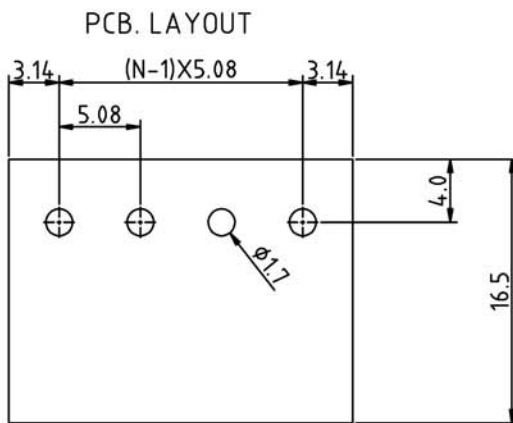
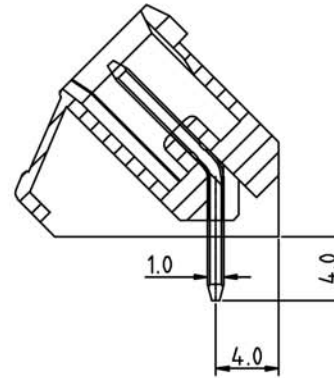
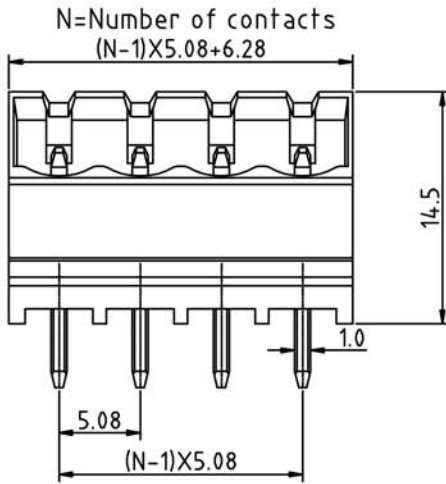
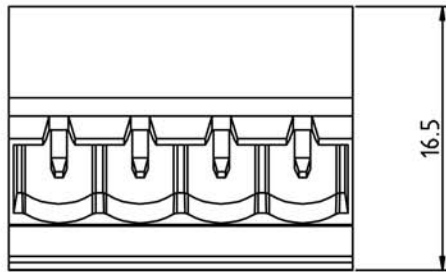


SIGN	DESCRIPTION	DATE	APPROVER



Technical Data:

Material:

Solder Pin: Copper Alloy, Tin plated  
 Insulator body(housing): Polyamide  
 (Glass filled)(UL94V-0)

Electrical

Voltage rating: 300VAC  
 Current rating: 16A  
 Withstanding Voltage: AC 2500V(1min)

Mechanical:

Using temperature Range:  $-40^{\circ}\text{C}$  to  $+105^{\circ}\text{C}$   
 Soldering temperature:  $+250^{\circ}\text{C}$ , 5seconds Max.

Ordering Information:

F85-F-E XX-0 0 1 X 0

- 02 2Pin
- To To
- 24 24Pin
- 5 Green
- 6 Blue
- A Black
- 0 Open
- 1 Close
- 2 Screw nut
- 3 Square nut

**WELINK** 上海拓尔普电子科技有限公司  
 Welink International Co., LTD.

TOLERANCE	APPROVED:	NAME: F85-F Pitch 5.08mm
X. $\pm 0.30$	CHECKED:	- Series(闭口)
X.X $\pm 0.15$	DRAWN: Ling Yu 2013,03,26	PART NO: F85FEXX001X0
X.XX $\pm 0.05$	UNITS: mm REV: A	DWG NO: 9F85FE011A
X° $\pm 1^{\circ}$	SCALE: 3 / 1 PAGE: 1 / 1	