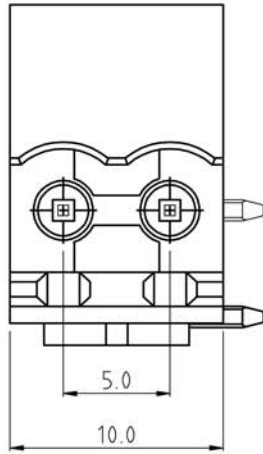
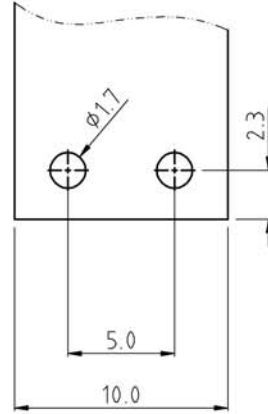


SIGN	DESCRIPTION	DATE	APPROVER



PCB LAYOUT



Technical Data:

Material:

Solder Pin: Copper Alloy, Tin plated  
 Insulator body(housing): Polyamide  
 (Glass filled)(UL94V-0)

Electrical

Voltage rating: 300VAC  
 Current rating: 16A  
 Withstanding Voltage: AC 2500V(1min)

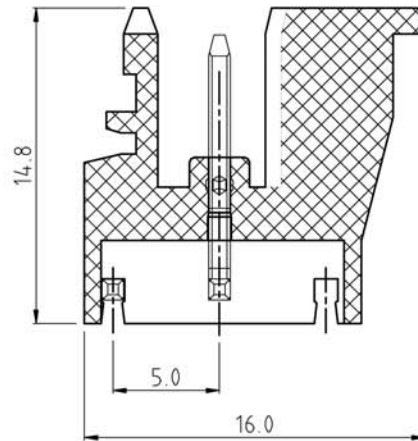
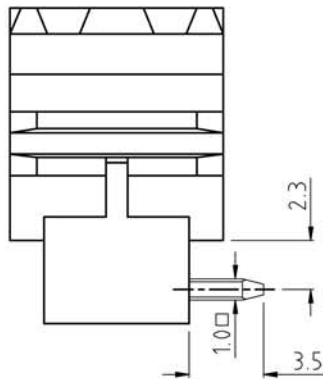
Mechanical:

Using temperature Range: -40°C to +105°C  
 Soldering temperature: +250°C, 5seconds Max.

Ordering Information:

F85-9-5 XX-0 0 1 X 0

02 - 4Pin  
 5 Green  
 6 Blue  
 A Black  
 0 left  
 1 right



**WELINK** 上海拓尔普电子科技有限公司  
 Welink International Co., LTD.

TOLERANCE	APPROVED:	NAME:
X: ±0.30	CHECKED:	F85-9 Pitch 5.0mm
X.X: ±0.15	DRAWN: YangMing 2012,06,30	-02 Pole right
X.XX: ±0.05	UNITS: mm	REV: A
X°: ±1°	SCALE: 4 / 1	PAGE: 1 / 1
		PART NO: F859502001X0
		DWG NO: 9F8595001A