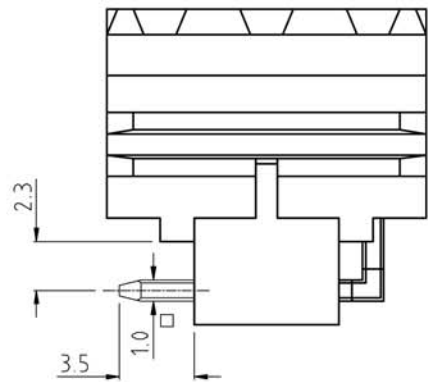
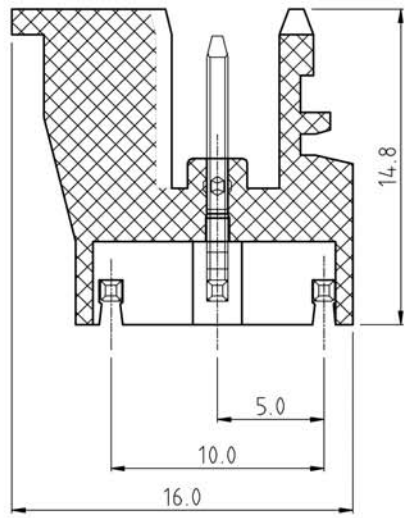
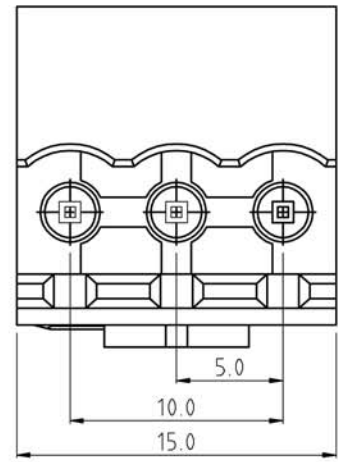
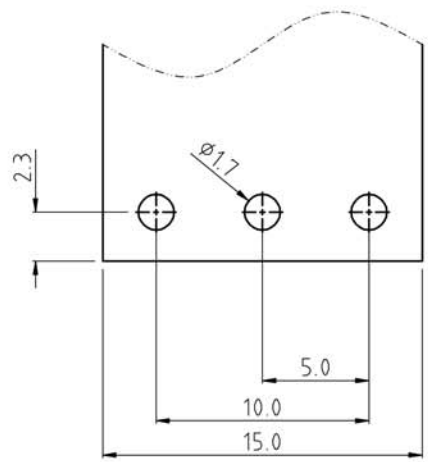


| SIGN | DESCRIPTION | DATE | APPROVER |
|------|-------------|------|----------|
| | | | |
| | | | |

TUOYAJ .839



Technical Data:

Material:

Solder Pin: Copper Alloy, Tin plated
 Insulator body(housing): Polyamide
 (Glass filled)(UL94V-0)

Electrical

Voltage rating: 300VAC
 Current rating: 16A
 Withstanding Voltage: AC 2500V(1min)

Mechanical:

Using temperature Range: -40°C to +105°C
 Soldering temperature:+250°C,5seconds Max.

Ordering Information:

F85-9-5 XX-0 0 0 X 0

- 02 - 4Pin
- 5 Green
- 6 Blue
- A Black
- 0 left
- 1 right

WELINK 上海拓尔普电子科技有限公司
 Welink International Co.,LTD.

| | | |
|--|----------------------------|--|
| TOLERANCE X. ±0.30 X.X ±0.15 X.XX ±0.05 X° ±1° | APPROVED: | NAME: F85-9 Pitch 5.0mm -03Pole left |
| | CHECKED: | |
| | DRAWN: YangMing 2012,06,30 | |
| UNITS: mm | REV: A | PART NO: F859503000X0 |
| SCALE: 4 / 1 | PAGE: 1 / 1 | DWG NO: 9F8595002A |