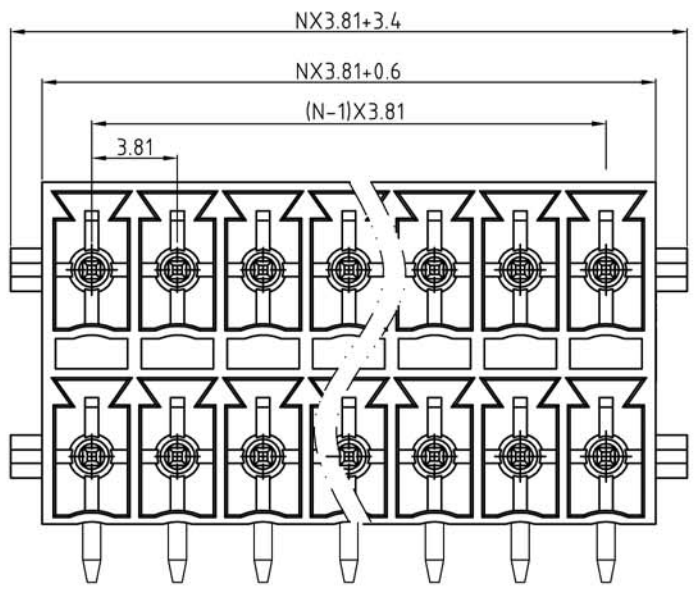
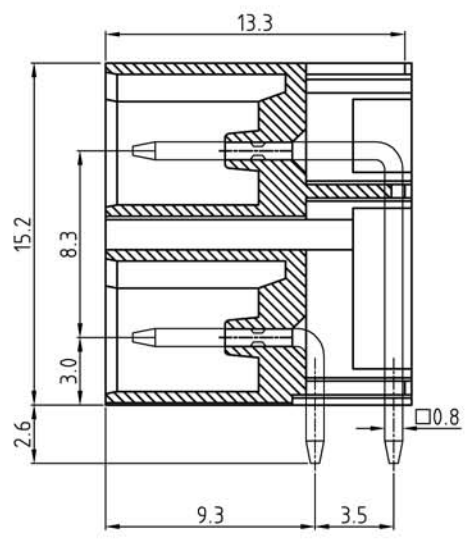


SIGN	DESCRIPTION	DATE	APPROVER



N=Number of contacts



Technical Data:

Material:

Solder Pin: Copper Alloy Tin plated  
 Insulator body(housing): Polyamide  
 (Glass filled)(UL94V-0)

Electrical

Voltage rating: 300VAC  
 Current rating: 12A  
 Withstanding Voltage: AC 2500V(1min)

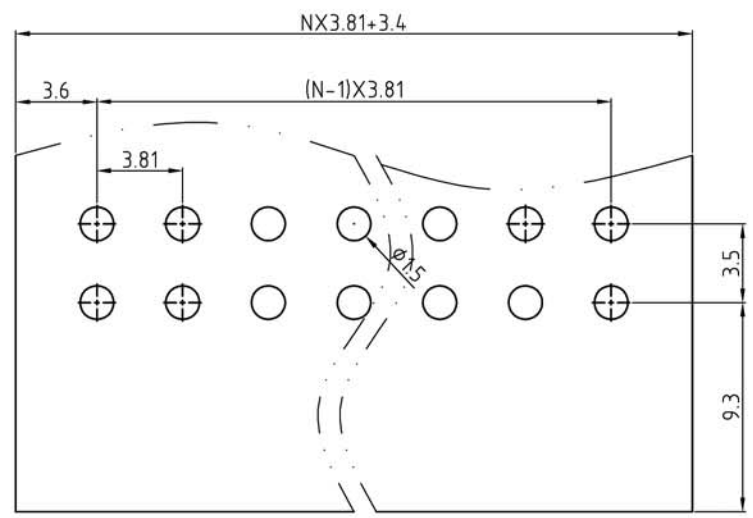
Mechanical:

Using temperature Range: -40°C to +105°C  
 Soldering temperature:+250°C,5seconds Max.

Ordering Information:

F83-S-C XX-0 0 0 X 0

02 2Pin 5 Green  
 To To 6 Blue  
 24 24Pin A Black



PCB. LAYOUT

**WELINK** 上海拓尔普电子科技有限公司  
 Welink International Co., LTD.

TOLERANCE	APPROVED:	NAME: F83-S Pitch 3.81mm
X. ±0.50	CHECKED:	-Series
X.X ±0.30	DRAWN: Ling Yu 2014,08,18	PART NO: F83SCXX000X0
X.XX ±0.20	UNITS: mm REV: A	DWG NO: 9F83SC001A
X° ±1°	SCALE: 4 / 1 PAGE: 1 / 1	