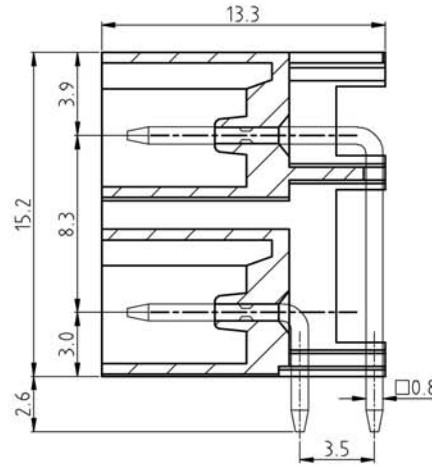
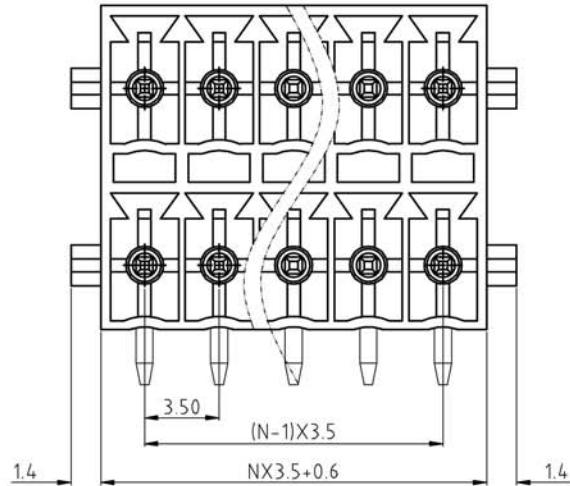


SIGN	DESCRIPTION	DATE	APPROVER

N=Number of contacts



Technical Data:

Material:

Solder Pin: Copper Alloy Tin plated
 Insulator body(housing): Polyamide
 (Glass filled)(UL94V-0)

Electrical

Voltage rating: 300VAC

Current rating: 12A

Withstanding Voltage: AC 2500V(1min)

Mechanical:

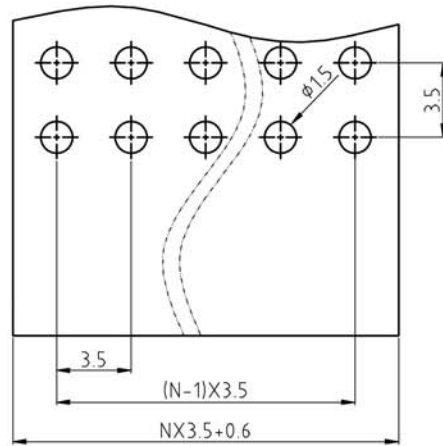
Using temperature Range: -40°C to +105°C

Soldering temperature:+250°C,5seconds Max.

Ordering Information:

F83-S-3 XX-0 0 0 X 0

02	2Pin	5	Green
To	To	6	Blue
24	24Pin	A	Black



PCB LAYOUT

WELINK 上海拓尔普电子科技有限公司
 Welink International Co.,LTD.

TOLERANCE	APPROVED:	NAME: F83-S Pitch 3.5mm
X: ±0.30	CHECKED:	-Series
X.X: ±0.15	DRAWN: YangMing 2012,06,20	PART NO: F83S3XX000X0
X.XX: ±0.05	UNITS: mm	REV: A
X°: ±1°	SCALE: 4 / 1	PAGE: 1 / 1
		DWG NO: 9F83S3001A