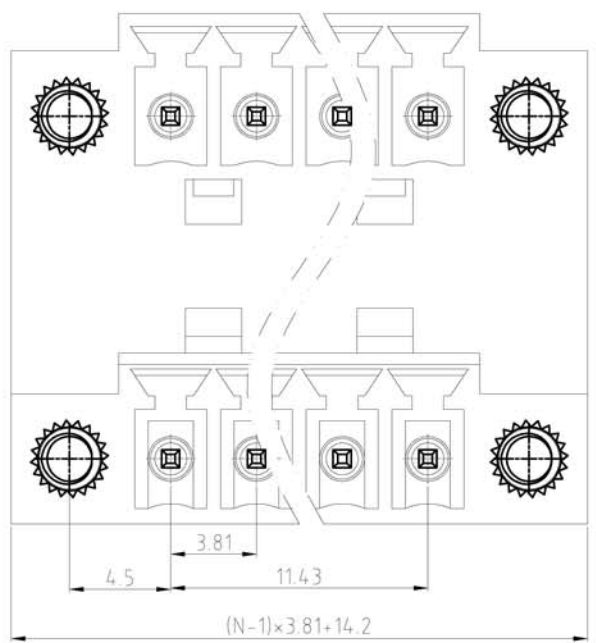
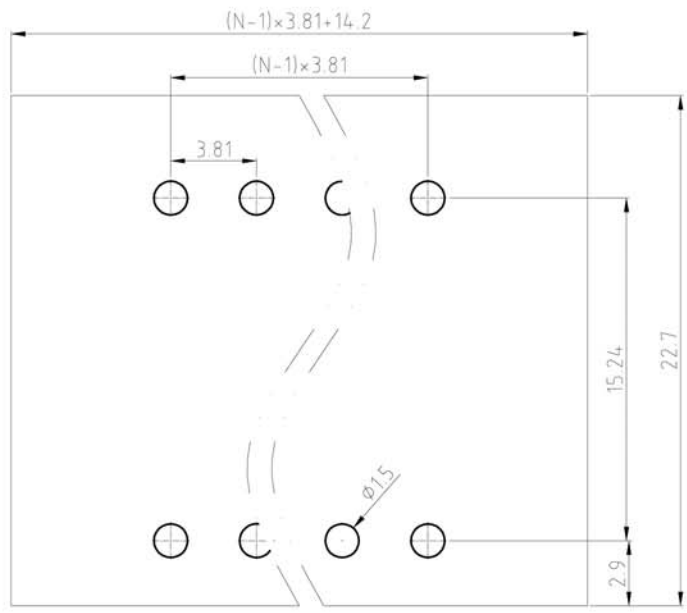


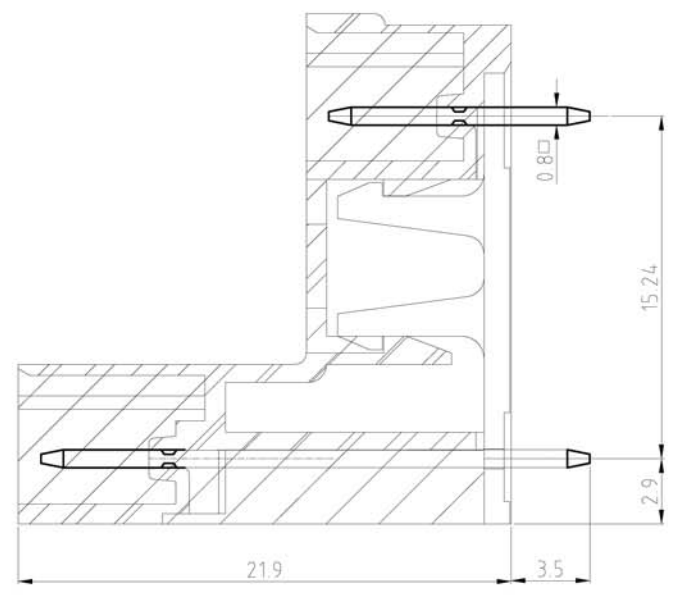
SIGN	DESCRIPTION	DATE	APPROVER



N=Number of contacts



PCB. LAYOUT



Technical Data:
 Material:
 Solder Pin: Copper Alloy Tin plated
 Insulator body(housing): Polyamide (Glass filled)(UL94V-0)
 Electrical
 Voltage rating: 300VAC
 Current rating: 12A
 Withstanding Voltage: AC 2500V(1min)
 Mechanical:
 Using temperature Range: -40°C to +105°C
 Soldering temperature:+250°C,5seconds Max.

Ordering Information:
F83-M-C XX-0 0 0 X 0

- 02 2Pin
- To To
- 24 24Pin
- 5 Green
- 6 Blue
- A Black
- 0 180°
- 1 90°
- 0 Open
- 1 Close
- 2 Screw nut
- 3 Square nut

WELINK		上海拓尔普电子科技有限公司	
		Welink International Co.,LTD.	
TOLERANCE	APPROVED:	NAME: F83-M Pitch 3.81mm	
X. ±0.50	CHECKED:	-Series-180°(Screw nut)	
X.X ±0.30	DRAWN: Ling Yu 2014,09,18	UNITS: mm	REV: A
X.XX ±0.20	SCALE: 4 / 1	PAGE: 1 / 1	PART NO: F83MCXX002X0
X° ±1°			DWG NO: 9F83MC021A