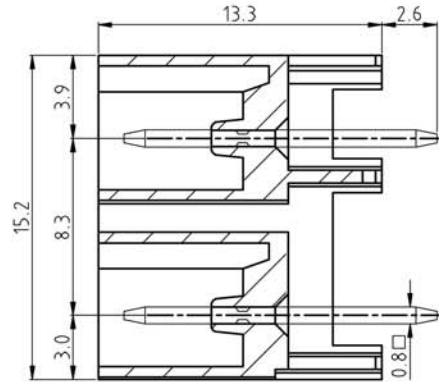
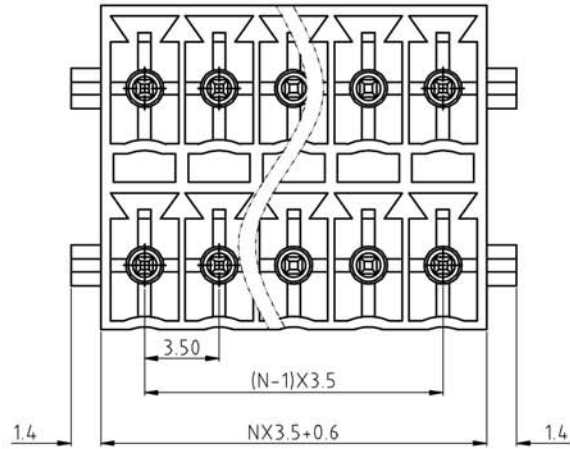


SIGN	DESCRIPTION	DATE	APPROVER

N=Number of contacts



Technical Data:

Material:

Solder Pin: Copper Alloy Tin plated  
 Insulator body(housing): Polyamide  
 (Glass filled)(UL94V-0)

Electrical

Voltage rating: 300VAC

Current rating: 12A

Withstanding Voltage: AC 2500V(1min)

Mechanical:

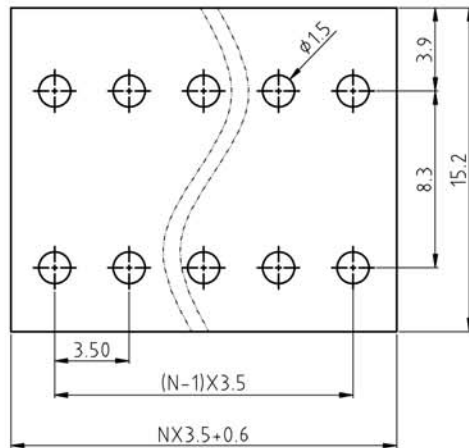
Using temperature Range: -40°C to +105°C

Soldering temperature:+250°C,5seconds Max.

Ordering Information:

F83-R-3 XX-0 0 0 X 0

02	2Pin	5	Green
To	To	6	Blue
24	24Pin	A	Black



PCB. LAYOUT

**WELINK** 上海拓尔普电子科技有限公司  
 Welink International Co.,LTD.

TOLERANCE	APPROVED:	NAME:
X: $\pm 0.30$	CHECKED:	F83-R Pitch 3.5mm
X.X: $\pm 0.15$	DRAWN: YangMing 2012,06,20	-Series
X.XX: $\pm 0.05$	UNITS: mm	PART NO: F83R3XX000X0
X°: $\pm 1^\circ$	REV: A	DWG NO: 9F83R3001A
	SCALE: 4 / 1	PAGE: 1 / 1