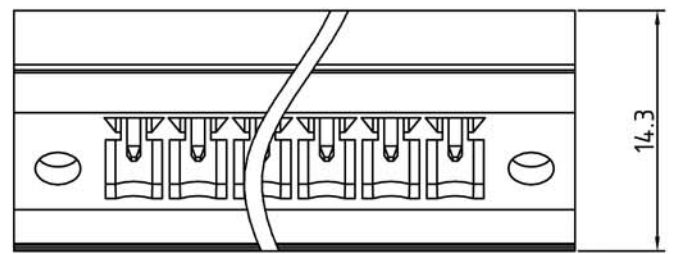
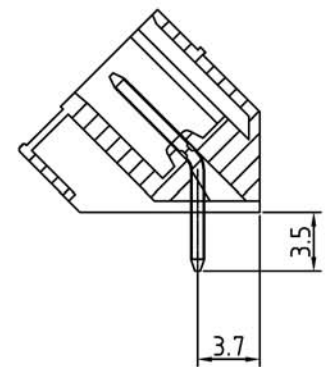
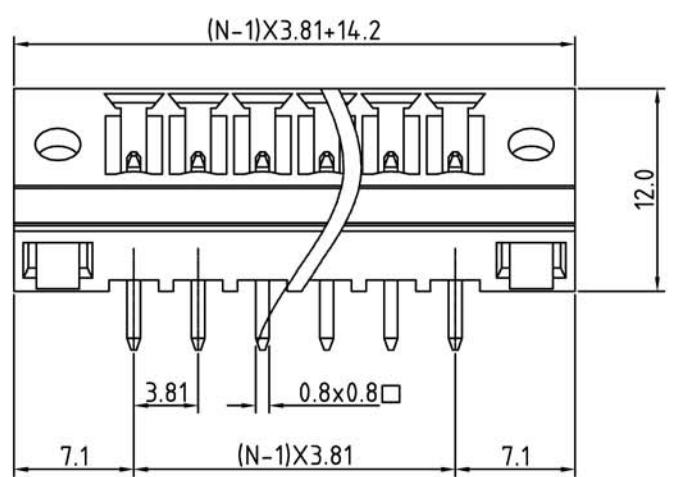


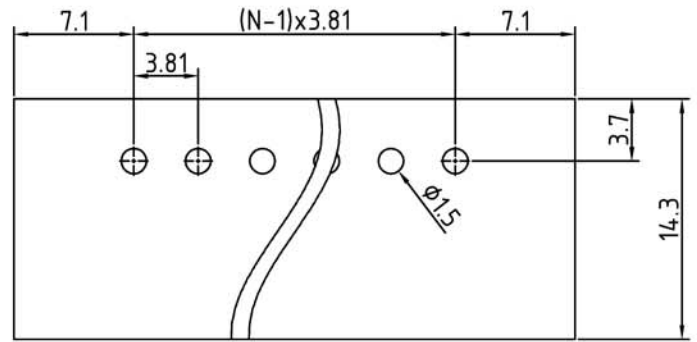
SIGN	DESCRIPTION	DATE	APPROVER



N=Number of contacts



PCB. LAYOUT



Technical Data:

Material:

Solder Pin: Copper Alloy Tin plated  
 Insulator body(housing): Polyamide(Glass filled)(UL94V-0)

Electrical

Voltage rating: 300VAC  
 Current rating: 12Amps/way max  
 Withstanding Voltage: 2500VAC(1min) Test time=60sec/1pcs

Mechanical:

Operating temperature: -40°C to +105°C  
 Soldering reliability:  
 Test temperature= 250°C±10°C  
 5 seconds max

Ordering Information:

F83 - F - C XX - X 0 3 X 0

2	02	5	Green
-	-	6	Blue
24	24	8	Grey
		A	Black

**WELINK** 上海拓尔普电子科技有限公司  
 Welink International Co., LTD.

TOLERANCE X. ±0.30 X.X ±0.15 X.XX ±0.05 X° ±1°	APPROVED:	NAME: F83 - F - 间距 3.81mm - series (Square nut)
	CHECKED:	
	DRAWN: Ling Yu 2013,03,30	
	UNITS: mm	REV: A
	SCALE: 3 / 1	PAGE: 1 / 1
		PART NO: F83FCXXX03X0
		DWG NO: 9F83FC031A