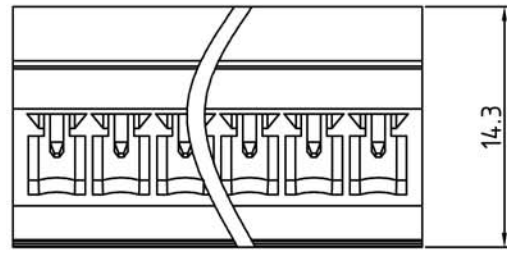
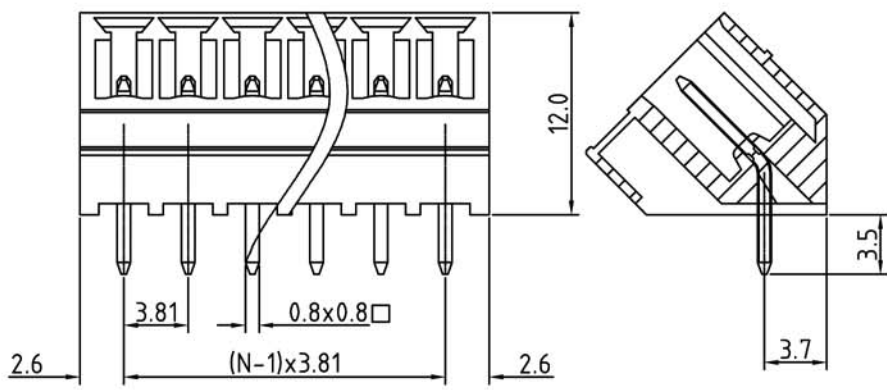


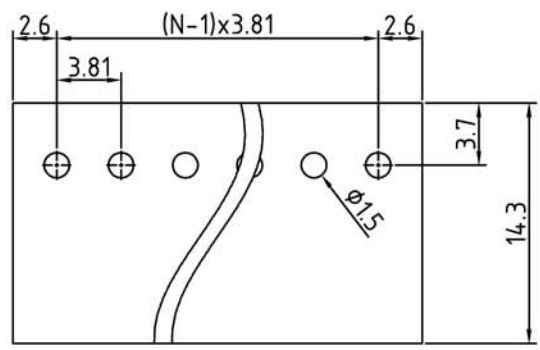
SIGN	DESCRIPTION	DATE	APPROVER



N=Number of contacts



PCB. LAYOUT



Technical Data:

Material:

Solder Pin: Copper Alloy Tin plated
 Insulator body(housing): Polyamide(Glass filled)(UL94V-0)

Electrical

Voltage rating: 300VAC
 Current rating: 12Amps/way max
 Withstanding Voltage: 2500VAC(1min) Test time=60sec/1pcs

Mechanical:

Operating temperature: -40°C to +105°C
 Soldering reliability:
 Test temperature= 250°C±10°C
 5 seconds max

Ordering Information:

F83 - F - C XX - X 0 1 X 0

- 2 02
- -
- 24 24
- 5 Green
- 6 Blue
- 8 Grey
- A Black
- 0 Open
- 1 Close
- 2 Screw nut
- 3 Square nut

WELINK 上海拓尔普电子科技有限公司
 Welink International Co., LTD.

TOLERANCE	APPROVED:	NAME:
X. ±0.30	CHECKED:	F83 - F- 间距 3.81mm
X.X ±0.15	DRAWN: Ling Yu 2013,03,27	- series (close)
X.XX ±0.05	UNITS: mm REV: A	PART NO: F83FCXXX01X0
X° ±1°	SCALE: 3 / 1 PAGE: 1 / 1	DWG NO: 9F83FC011A