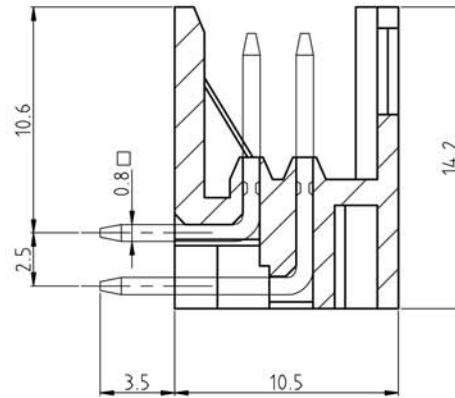
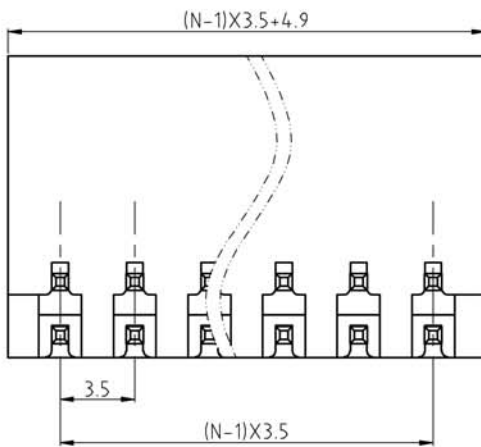
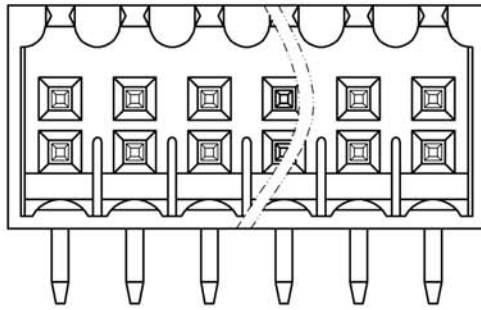
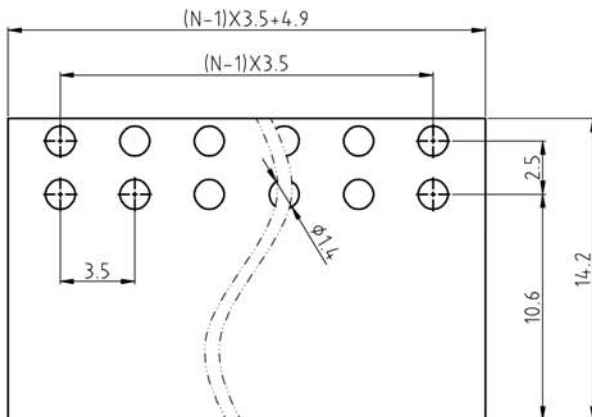


N=Number of contacts



PCB LAYOUT



| SIGN | DESCRIPTION | DATE | APPROVER |
|------|-------------|------|----------|
|      |             |      |          |
|      |             |      |          |

Technical Data:

Material:

Solder Pin: Copper Alloy Tin plated

Insulator body(housing): Polyamide(Glass filled)(UL94V-0)

Electrical

Voltage rating: 300VAC

Current rating: 12 Amps/way max

Withstanding Voltage: 2500VAC(1min) Test time=60sec/1pcs

Mechanical:

Operating temperature: -40°C to +105°C

Soldering reliability:

Test temperature= 250°C±10°C

5 seconds max

Ordering Information:

F83-A-3 XX 0 X X X 0

02 2Pin  
To To  
24 24Pin

5 Green  
6 Blue  
A Black

0 Open  
1 Close  
3 Square nut

0 180°  
1 90°

**WELINK** 上海拓尔普电子科技有限公司  
Welink International Co., LTD.

|            |                            |                       |
|------------|----------------------------|-----------------------|
| TOLERANCE  | APPROVED:                  | NAME:                 |
| X ±0.30    | CHECKED:                   | F83-A Pitch 3.5mm     |
| X.X ±0.15  | DRAWN: YangMing 2013,01,25 | - Close-90D           |
| X.XX ±0.05 | UNITS: mm                  | -Series               |
| X° ±1°     | REV: A                     | PART NO: F83A3XX011X0 |
|            | SCALE: 4 / 1               | PAGE: 1 / 1           |
|            |                            | DWG NO: 9F83A3102A    |