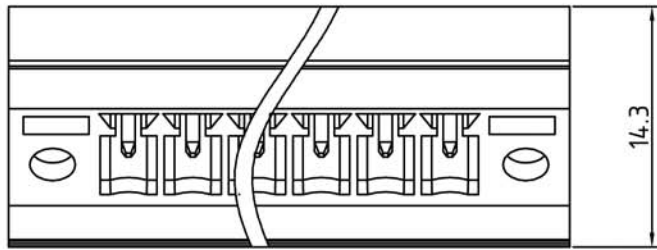
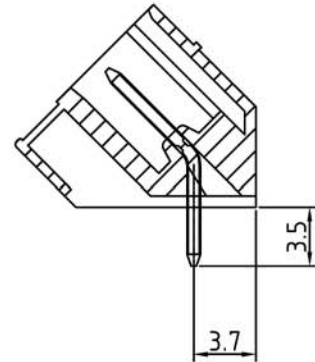
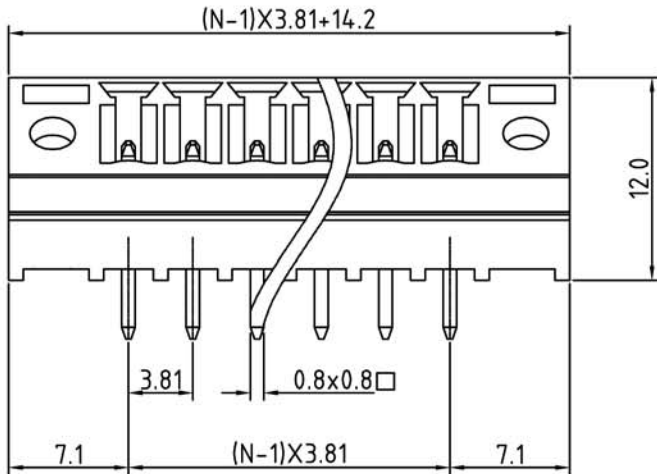


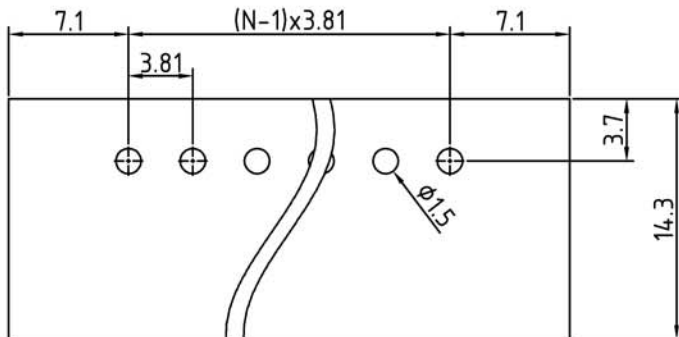
| SIGN | DESCRIPTION | DATE | APPROVER |
|------|-------------|------|----------|
| | | | |
| | | | |



N=Number of contacts



PCB. LAYOUT



Technical Data:

Material:

Solder Pin: Copper Alloy Tin plated
 Insulator body(housing): Polyamide(Glass filled)(UL94V-0)

Electrical

Voltage rating: 300VAC
 Current rating: 12Amps/way max
 Withstanding Voltage: 2500VAC(1min) Test time=60sec/1pcs

Mechanical:

Operating temperature: -40°C to +105°C
 Soldering reliability:
 Test temperature= 250°C±10°C
 5 seconds max

Ordering Information:

F83 - F - C XX - X 0 2 X 0

| | | | |
|----|----|---|-------|
| 2 | 02 | 5 | Green |
| ~ | ~ | 6 | Blue |
| 24 | 24 | 8 | Grey |
| | | A | Black |

WELINK 上海拓尔普电子科技有限公司
 Welink International Co., LTD.

| | | |
|--|---------------------------|--|
| TOLERANCE X. ±0.30 X.X ±0.15 X.XX ±0.05 X° ±1° | APPROVED: | NAME: F83 - F - 间距 3.81mm - series (Screw nut) |
| | CHECKED: | |
| | DRAWN: Ling Yu 2013,03,30 | |
| | UNITS: mm | REV: A |
| | SCALE: 3 / 1 | PAGE: 1 / 1 |
| | | PART NO: F83FCXXX02X0 |
| | | DWG NO: 9F83FC021A |