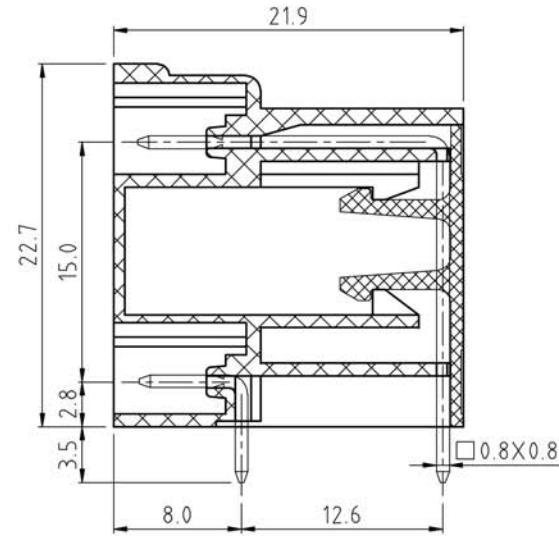
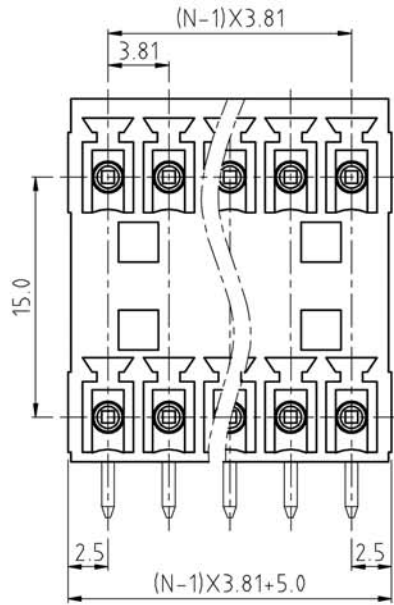


SIGN	DESCRIPTION	DATE	APPROVER



Technical Data:

Material:

Solder Pin: Copper Alloy Tin plated

Insulator body(housing): Polyamide(Glass filled)(UL94V-0)

Electrical

Voltage rating: 300VAC

Current rating: 12Amps/way max

Withstanding Voltage: 2500VAC(1min) Test time=60sec/1pcs

Mechanical:

Operating temperature: -40°C to +105°C

Soldring reliability:

Test temperature= 250°C±10°C

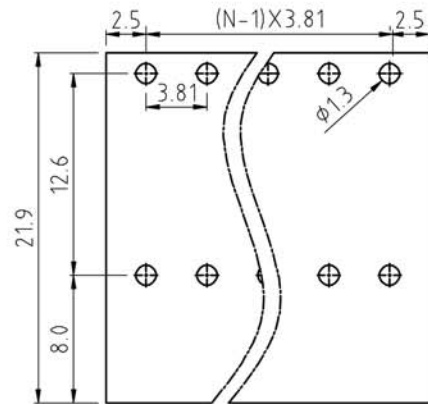
5 seconds max

Ordering Information:

F83 - J - C XX - X 0 0 X 0

2 02 } 5 Green
 6 Blue
 8 Grey
 A Black
 24 24

N=Number of contacts



P.C.B. LAYOUT

WELINK 上海拓尔普电子科技有限公司
Welink International Co., LTD.

TOLERANCE	APPROVED:	NAME: F83 - J pitch 3.81mm
X ±0.50	CHECKED:	- series
X.X ±0.30	DRAWN: Yang Ming 2011,09,26	
X.XX ±0.20	UNITS: mm	REV: A
X° ±1°	SCALE: 3 / 1	PAGE: 1 / 1
		PART NO: F83JCXXX00X0
		DWG NO: 9F83JC001A