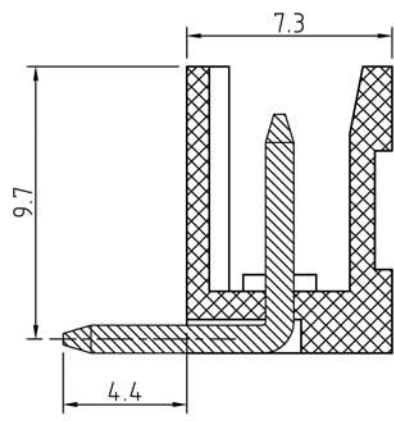
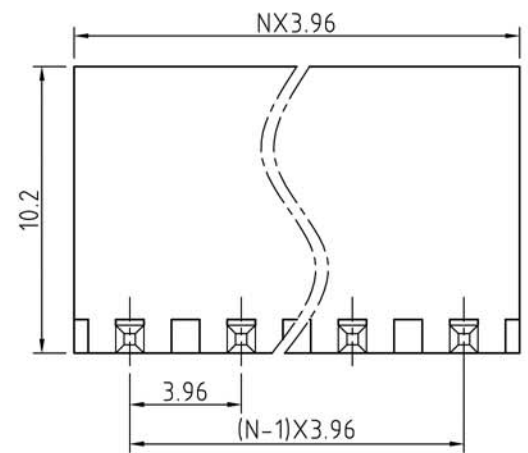
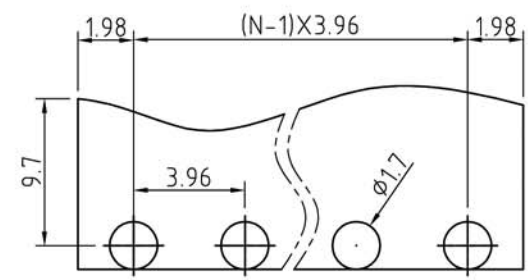
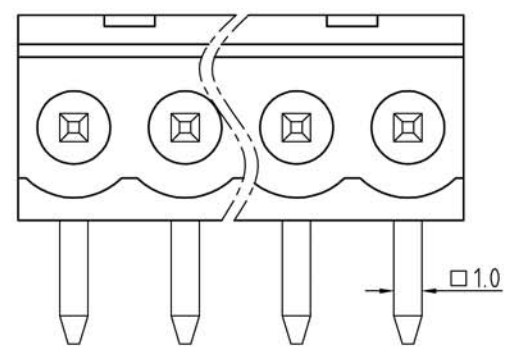


SIGN	DESCRIPTION	DATE	APPROVER
△	---		
△			



N=Number of contacts

P.C.B LAYOUT



Technical Data:

Material:

Solder Pin: Copper Alloy with Tin plated
 Insulator body(housing): Polyamide(Glass filled)
 (UL94V-0)

Electrical

Voltage rating: 300VAC
 Current rating: 12A.
 Withstanding Voltage: AC 2500V(1min)

Mechanical:

Using temperature Range: -40°C to +105°C
 Soldering temperature: 250°C,5seconds Max.

Ordering Information:

F83 - 4 - D XX - X 0 0 X 0 0 0 0

2	02	└─┬─┘	5	Green
~	~		6	Blue
24	24		8	Grey
			A	Black

WELINK 上海拓尔普电子科技有限公司
 Welink International Co., LTD.

TOLERANCE X. ±0.50 X.X ±0.30 X.XX ±0.20 X° ±1°	APPROVED:	NAME: F83 - 4 pitch 3.96mm - Vertical Type
	CHECKED:	
	DRAWN: Yang Ming 2011,10,01	
UNITS: mm	REV: A	PART NO: F834DXX000X0000
SCALE: 5 / 1	PAGE: 1 / 1	DWG NO: 9F834D001A