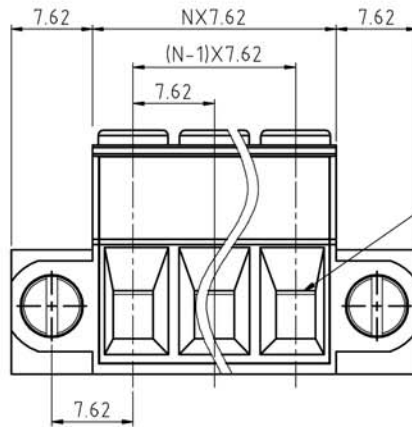
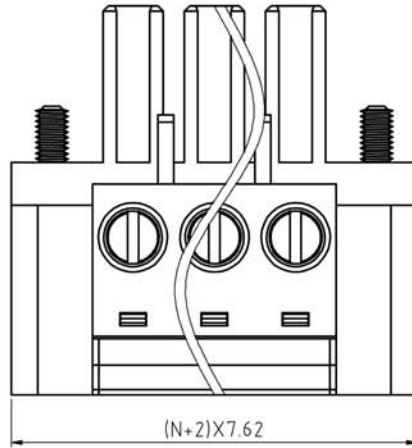
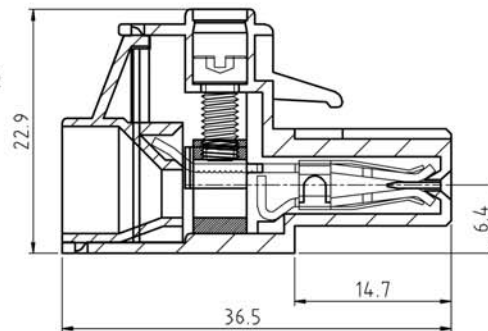


SIGN	DESCRIPTION	DATE	APPROVER



N=Number of contacts

□3.7X4.5



Technical Data:

Material:

Contact(metal housing): Copper Alloy with Ni plated  
Terminal screw: Steel galvanized with Cr3+ plated  
Wire guard: Copper Alloy Tin plated  
Wire guard: Stainless steel

Insulator body(housing): Polyamide(UL94V-0)

Electrical

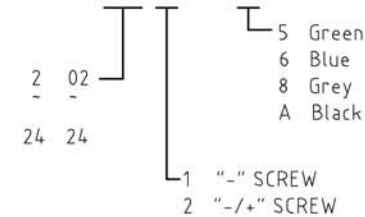
Voltage rating: 300VAC  
Current rating: 32 Amps/way max  
Contact resistance: 20mΩ(max)  
Withstanding Voltage: 2500VAC(1min) Test time=60sec/1pcs  
Wire range: 8-24AWG

Mechanical:

Torque: 8.0kgf.cm/M3.5  
Operating temperature: -40°C to +105°C  
Soldering reliability:  
Test temperature= 250°C±10°C  
5 seconds max

Ordering Information:

F77-6-G XX-X 0 0 X 0



**WELINK** 上海拓尔普电子科技有限公司  
Welink International Co., LTD.

TOLERANCE	APPROVED:	NAME: F77 - 6 - Pitch 7.62mm
X ±0.50	CHECKED:	- Series
X.X ±0.30	DRAWN: Yang Ming 2012,06,20	
X.XX ±0.20	UNITS: mm	PART NO: F776GXX100X0
X° ±1°	REV: A	DWG NO: 9F776G001A
⊕	SCALE: 2 / 1	PAGE: 1 / 1