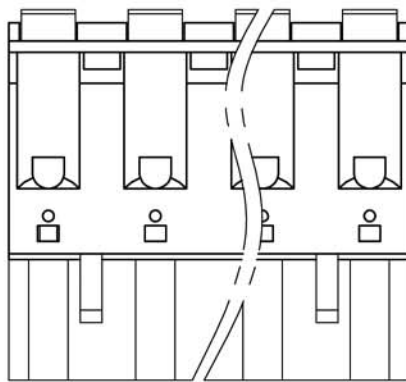
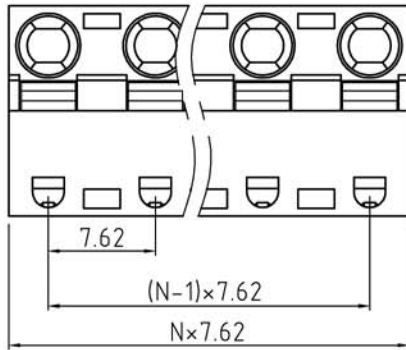
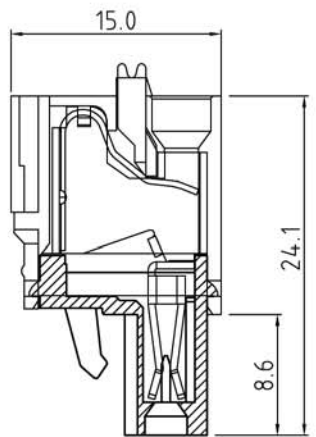
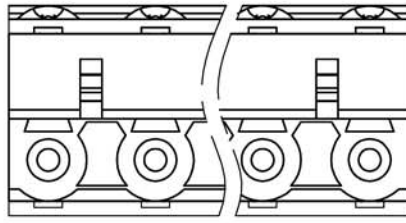


SIGN	DESCRIPTION	DATE	APPROVER



N=Number of contacts



Technical Data:

Material:

- Terminal: Copper Alloy, Tin plated.
- Wire guard: Copper Alloy,
- Insulator body(housing): Polyamide(UL94V-0)

Electrical:

- Voltage rating: 300VAC
- Current rating: 20 Amps/way max
- Contact resistance: 20mΩ (max)
- Withstanding Voltage: 2500VAC(1min) Test time=60sec/1pcs
- Wire range: 12-26AWG

Mechanical:

- Operating temperature: -40°C to +120°C
- Soldering reliability:  
Test temperature= 250°C±10°C  
5 seconds max

Ordering Information:

- F75-H-G XX-0 0 X X 0 000
- 2 02 ———— 1 Brown
  - ~ ~ ———— 2 Red
  - 24 24 ———— 3 Orange
  - 4 Yellow
  - 5 Green
  - 6 Blue
  - 7 Purple
  - 0 Without Flange ———— 8 Gray
  - 1 With Flange ———— 9 White
  - A Black

**WELINK** 上海拓尔普电子科技有限公司  
Welink International Co., LTD.

TOLERANCE X. ±0.50 X.X ±0.30 X.XX ±0.20 X° ±1°	APPROVED:	NAME: F75-H-Pitch 7.62mm -Series
	CHECKED:	
	DRAWN: Ling Yu 2018,1,18	
UNITS: mm	REV: A	PART NO: F75HGXX00XX0000
SCALE: 2.5 / 1	PAGE: 1 / 1	DWG NO: 9F75HG001A