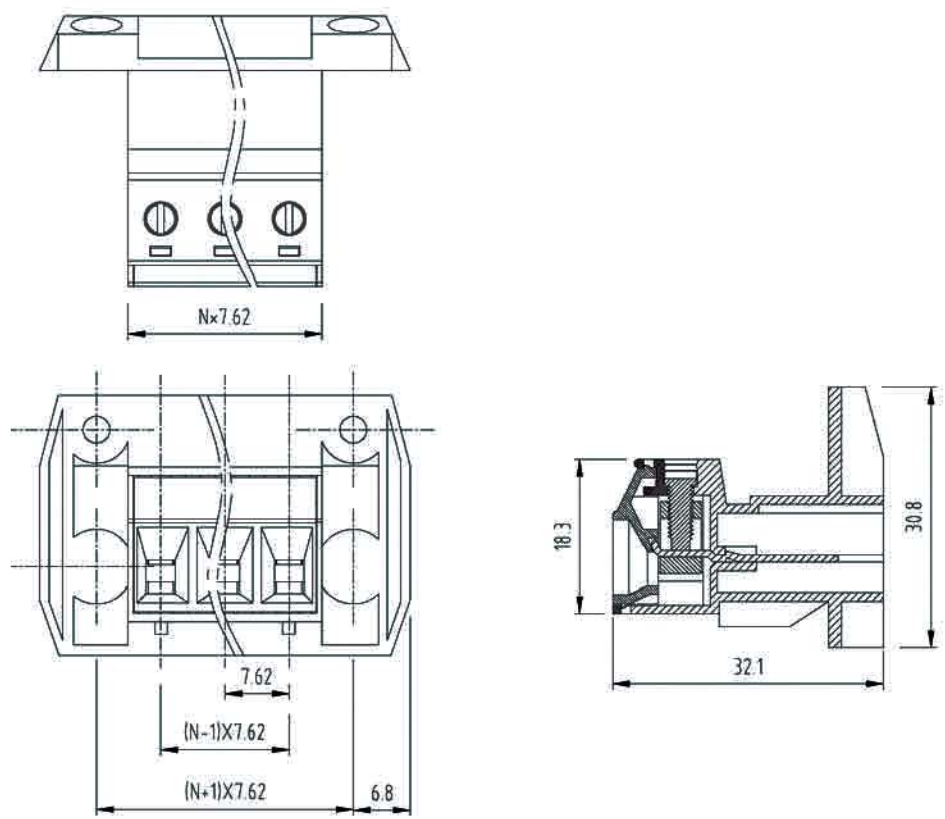


SIGN	DESCRIPTION	DATE	APPROVER



Technical Data:

Material:

- Metal nut: Copper Alloy
- Contact (metal housing): Copper Alloy with Ni plated
- Terminal screw: Steel galvanized with Cr3+ plated
- Wire guard: Copper Alloy with Tin plated.
- Insulator body (housing): Polyamide (UL94V-0)

Electrical

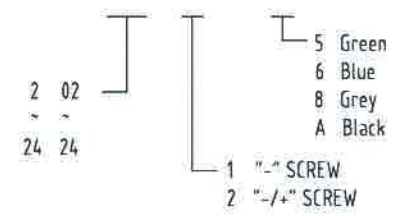
- Voltage rating: 300VAC
- Current rating: 42 Amps/way max
- Contact resistance: $20\text{m}\Omega$ (max)
- Withstanding Voltage: 2500VAC (1min) Test time=60sec/1pcs
- Wire range: 8-24AWG

Mechanical:

- Torque: 5.0kgf.cm/M3.0
- Operating temperature: -40°C to $+105^\circ\text{C}$
- Soldering reliability:
 - Test temperature= $250^\circ\text{C} \pm 10^\circ\text{C}$
 - 5 seconds max

Ordering Information:

F76 - A - GXX - X 0 0 X 0 0 0 0



WELINK		上海拓尔普电子科技有限公司 Welink International Co., LTD.	
TOLERANCE	APPROVED:	NAME: F76 - A - pitch 7.62mm - Series	
X ±0.50	CHECKED:	DRAWN: Ling Yu 2016.09.20	
X.X ±0.30		UNITS: mm	REV: A
X.XX ±0.20		SCALE: 1.5 / 1	PAGE: 1 / 1
X° ±1°		PART NO: F76AGXX10050000	DWG NO: 9F76AG001A