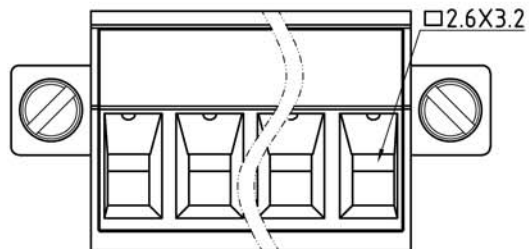
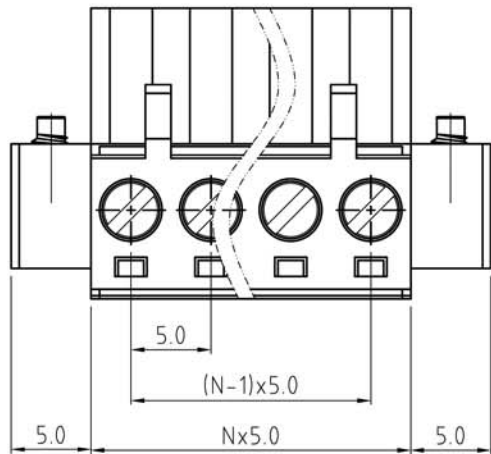
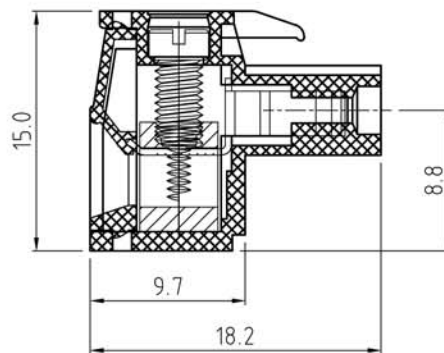


SIGN	DESCRIPTION	DATE	APPROVER



N=Number of contacts



Technical Data:

Material:

Contact(metal housing): Copper Alloy with Ni plated
Terminal screw: Steel galvanized with Cr3+ plated
Wire guard: Copper Alloy,Tin plated.
Insulator body(housing): Polyamide(UL94V-0)

Electrical

Voltage rating: 300VAC
Current rating: 16 Amps/way max
Contact resistance: 20mΩ(max)
Withstanding Voltage: 2500VAC(1min) Test time=60sec/1pcs
Wire range: 12-26AWG

Mechanical:

Torque: 5.0kgf.cm/M3
Operating temperature: -40°C to +105°C
Soldering reliability:

Test temperature= 250°C±10°C
5 seconds max

Ordering Information:

F75-9-5 XX-X 0 2 X 0

- 2 02
- ~ ~
- 24 24
- 5 Green
- 6 Blue
- 8 Grey
- A Black
- 1 without flange
- 2 with flange
- 1 "-" SCREW
- 2 "-/+" SCREW

WELINK 上海拓尔普电子科技有限公司
Welink International Co.,LTD.

TOLERANCE	APPROVED:	NAME:
X: ±0.50	CHECKED:	F75 - 9 Pitch 5.0mm
X.X ±0.30	DRAWN: Ling Yu 2014,06,13	Series-with flange
X.XX ±0.20	UNITS: mm REV: B	PART NO: F7595XX100X0
X° ±1°	SCALE: 3 / 1 PAGE: 1 / 1	DWG NO: 9F7595021B