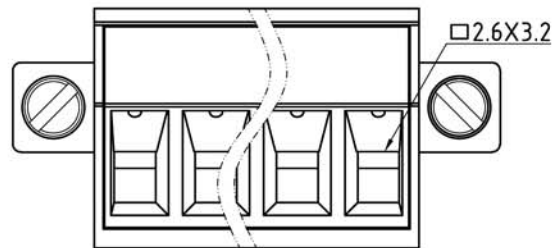
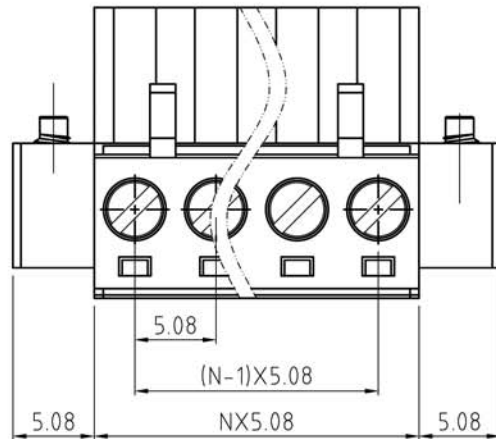
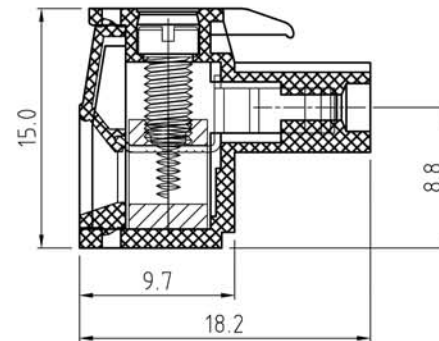


SIGN	DESCRIPTION	DATE	APPROVER



N=Number of contacts



Technical Data:

Material:

Contact(metal housing): Copper Alloy with Ni plated  
Terminal screw: Steel galvanized with Cr3+ plated  
Wire guard: Copper Alloy, Tin plated.  
Insulator body(housing): Polyamide(UL94V-0)

Electrical

Voltage rating: 300VAC  
Current rating: 16 Amps/way max  
Contact resistance: 20mΩ(max)  
Withstanding Voltage: 2500VAC(1min) Test time=60sec/1pcs  
Wire range: 12-26AWG

Mechanical:

Torque: 5.0kgf.cm/M3  
Operating temperature: -40°C to +105°C  
Soldering reliability:

Test temperature= 250°C±10°C  
5 seconds max

Ordering Information:

F75-9-E XX-X 0 2 X 0

- 2 02
- ~ ~
- 24 24
- 5 Green
- 6 Blue
- 8 Grey
- A Black
- 1 without flange
- 2 with flange
- 1 "-" SCREW
- 2 "-/+" SCREW

**WELINK** 上海拓尔普电子科技有限公司  
Welink International Co., LTD.

TOLERANCE	APPROVED:	NAME:
X: ±0.50	CHECKED:	F75 - 9 Pitch 5.08mm
X.X ±0.30	DRAWN: Ling Yu 2014,06,13	Series-with flange
X.XX ±0.20	UNITS: mm	PART NO: F759EXX102X0
X° ±1°	REV: B	DWG NO: 9F759E021B
⊕	SCALE: 3 / 1	PAGE: 1 / 1