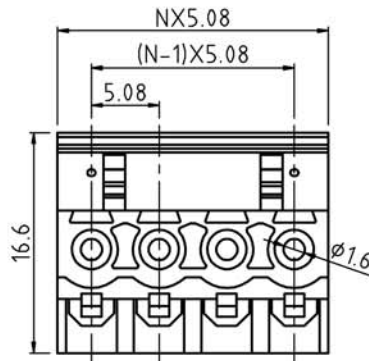
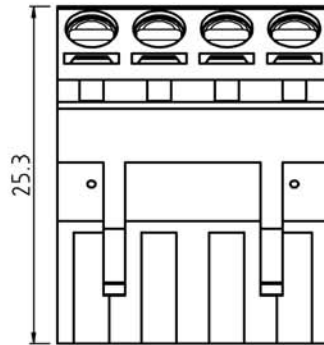
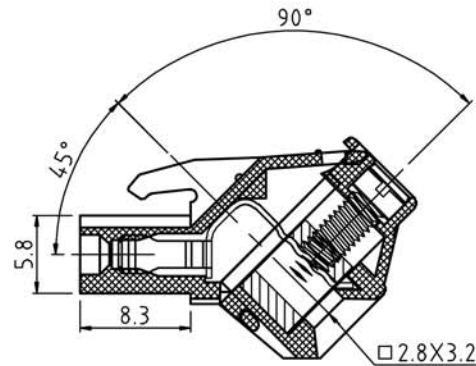
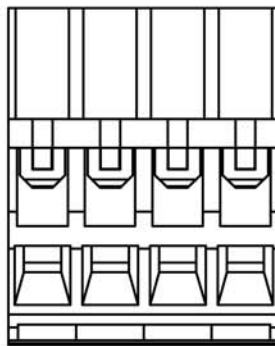


| SIGN | DESCRIPTION | DATE | APPROVER |
|------|-------------|------|----------|
| △ | | | |



N=Number of contacts



Technical data:

Material;

Wire guard: Copper Alloy. with Tin plated
 Contact(metal housing): Copper Alloy with Ni plated
 Terminal screw: Steel galvanized with Cr3+ plated
 Insulator body: Polyamide.(UL94V-0).

Electrical

Voltage rating: 300VAC.
 Current rating: 16Amps/way max.
 Contact resistance: 20mΩ
 Withstanding voltage: 2500VAC/1Min. Test time=60 Sec/1pcs
 Wire range: 12-26AWG.

Mechanical

Torque: 5.0kgf.cm/M3.
 Operating Temperature; -40°C to +105°C
 Soldering Temperature; 250°C±10°C/5 Sec

Ordering Information:

F75-F-E XX-X 0 0 X 0

- 2 02 5 Green
- 4 04 6 Blue
- 24 24 A Black
- 1 "-"Screw
- 2 "-/+ "Screw

WELINK 上海拓尔普电子科技有限公司
 Welink International Co.,LTD.

| | | |
|------------|-----------------------------|------------------------|
| TOLERANCE | APPROVED: | NAME: F75-F-Pitch 5.08 |
| X. ±0.50 | CHECKED: | -Series |
| X.X ±0.30 | DRAWN: Yang Ming 2012,06,20 | |
| X.XX ±0.20 | UNITS: mm | PART NO: F75FEXXX00X0 |
| X° ±1° | REV: A | DWG NO: 9F75FE001A |
| ⊕ | SCALE: 2.5 / 1 | PAGE: 1 / 1 |