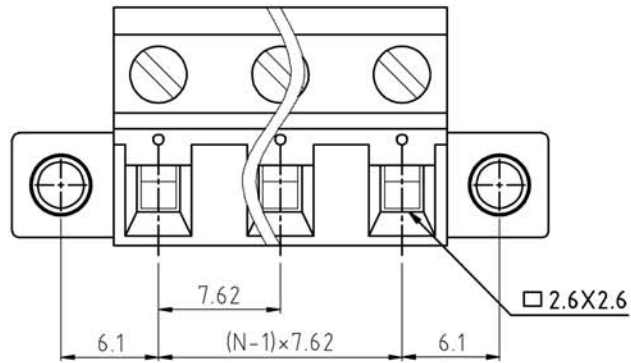
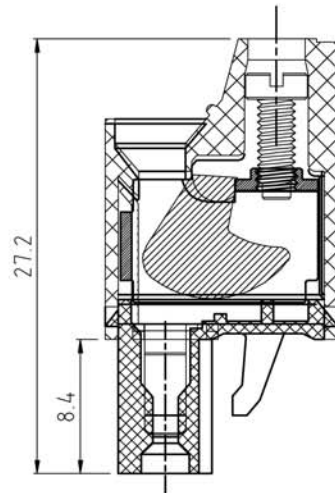
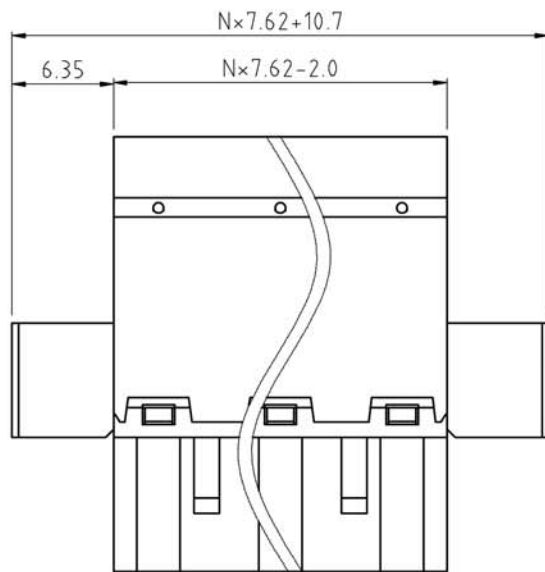


SIGN	DESCRIPTION	DATE	APPROVER



N=Number of contacts



Technical Data:

Material:

Contact(metal housing): Copper Alloy with Ni plated
Terminal screw: Steel galvanized with Cr3+ plated
Wire guard: Copper Alloy Tin plated.
Insulator body(housing): Polyamide(UL94V-0)

Electrical

Voltage rating: 300VAC
Current rating: 16 Amps/way max
Contact resistance: 20mΩ(max)
Withstanding Voltage: 2500VAC(1min) Test time=60sec/1pcs
Wire range: 12-26AWG

Mechanical:

Torque: 4kgf.cm/M2.5
Operating temperature: -40°C to +105°C
Soldering reliability:
Test temperature= 250°C±10°C
5 seconds max

Ordering Information:

F75 - 8 - G XX - X 0 0 X 0

2 02 5 Green
- - 6 Blue
24 24 8 Grey
 A Black
 1 "-" SCREW
 2 "-/+" SCREW

WELINK 上海拓尔普电子科技有限公司
Welink International Co., LTD.

TOLERANCE	APPROVED:	NAME:
X ±0.50	CHECKED:	F758 Pitch 7.62mm Series
X.X ±0.30	DRAWN: Ling Yu 2014,09,04	
X.XX ±0.20	UNITS: mm	PART NO: F758GXX100X0
X° ±1°	REV: A	DWG NO: 9F758G001A
⊕	SCALE: 3 / 1	PAGE: 1 / 1