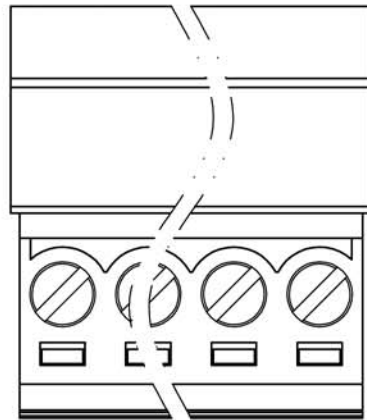
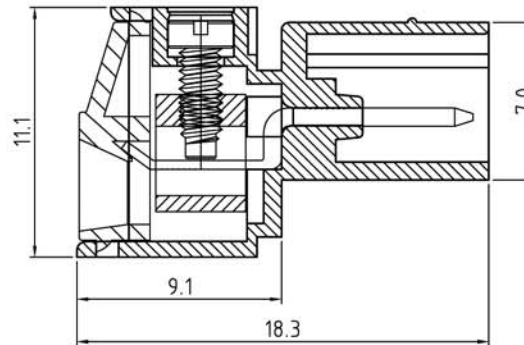
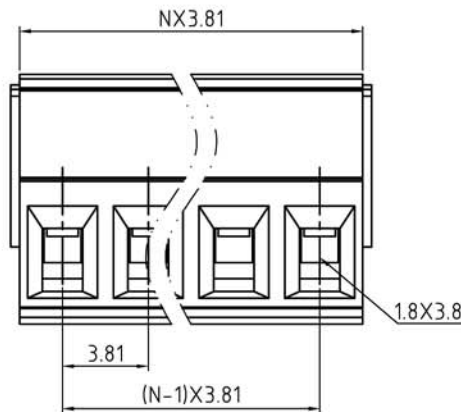


SIGN	DESCRIPTION	DATE	APPROVER



N=Number of contacts



Technical Data:

Material:

Contact(metal housing): Copper Alloywith Ni plated
Terminal screw: Steel galvanized with Cr3+ plated
Pin: Copper Alloy,Tin plated.
Insulator body(housing): Polyamide(UL94V-0)

Electrical

Voltage rating: 300VAC
Current rating: 12 Amps/way max
Contact resistance: 20mΩ(max)
Withstanding Voltage: 2500VAC(1min) Test time=60sec/1pcs
Wire range: 16-24AWG

Mechanical:

Torque: 2.5kgf.cm/M2
Operating temperature: -40°C to +105°C
Soldering reliability:
Test temperature= 250°C±10°C
5 seconds max

Ordering Information:

F72 - 1 - C XX - X 0 0 X 0

- 2 02
- -
- 24 24
- 5 Green
- 6 Blue
- 8 Grey
- A Black
- 0 Without flange
- 1 With flange screw
- 2 Screw nut

- 1 "-" SCREW
- 2 "-/+" SCREW

WELINK 上海拓尔普电子科技有限公司
Welink International Co., LTD.

TOLERANCE X. ±0.50 X.X ±0.30 X.XX ±0.20 X° ±1°	APPROVED:	NAME: F72 - 1 Pitch 3.81mm -series(Without flange)
	CHECKED:	
	DRAWN: Ling Yu 2013,07,31	
	UNITS: mm	REV: A
	SCALE: 4 / 1	PAGE: 1 / 1
		PART NO: F721CXX100X0
		DWG NO: 9F721C001A