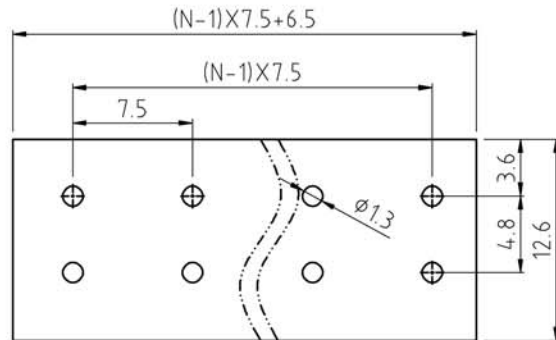
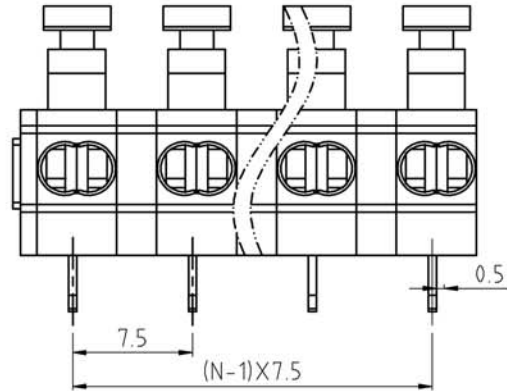
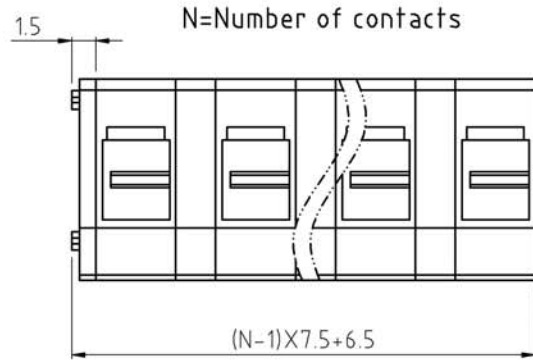
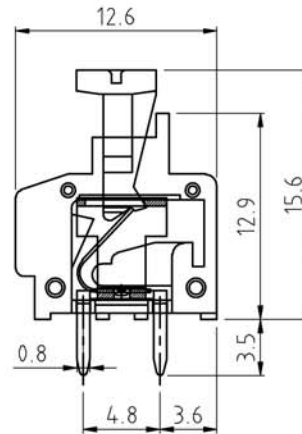


| SIGN | DESCRIPTION | DATE | APPROVER |
|------|-------------|------|----------|
| | | | |
| | | | |



P.C.B. LAYOUT



Technical Data:

Material:

Terminal : Copper Alloy Tin plated
 Spring Clamp : stainless steel
 Insulator body(housing) : Polyamide(Glass filled)(UL94V-0)

Electrical

Voltage rating: 300VAC
 Current rating: 10 Amps/way max
 Contact resistance: 20mΩ(max)
 Withstanding Voltage: 2500VAC(1min) Test time=60sec/1pcs
 Wire range: 14-22AWG

Mechanical:

Operating temperature: -40°C to +105°C
 Soldering reliability:
 Test temperature= 250°C±10°C
 5 seconds max

Ordering Information:

F51-12-7 XX-0 0 X 0

| | | | |
|----|----|---|-------|
| 2 | 02 | 5 | Green |
| - | - | 6 | Blue |
| 24 | 24 | 8 | Grey |
| | | A | Black |

WELINK 上海拓尔普电子科技有限公司
 Welink International Co., LTD.

| | | |
|------------|-----------------------------|-----------------------|
| TOLERANCE | APPROVED: | NAME: |
| X ±0.50 | CHECKED: | F51-12-pitch 7.5mm |
| X.X ±0.30 | DRAWN: Yang Ming 2012,06,22 | - series |
| X.XX ±0.20 | UNITS: mm | PART NO: F51127XX00X0 |
| X° ±1° | REV: A | DWG NO: 9F5112701A |
| ⊕ | SCALE: 3 / 1 | PAGE: 1 / 1 |