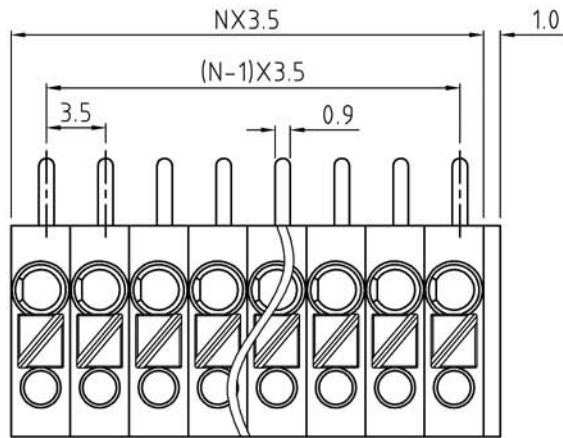
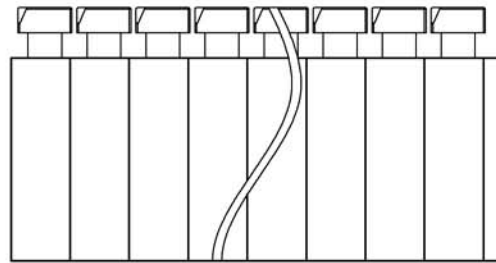


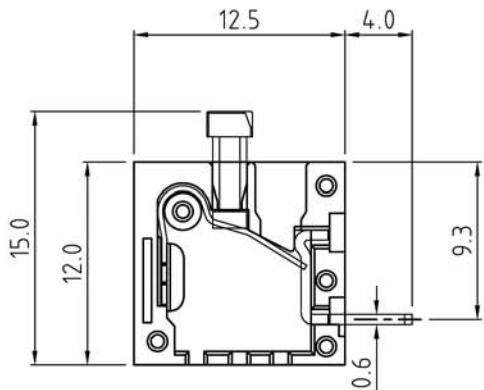
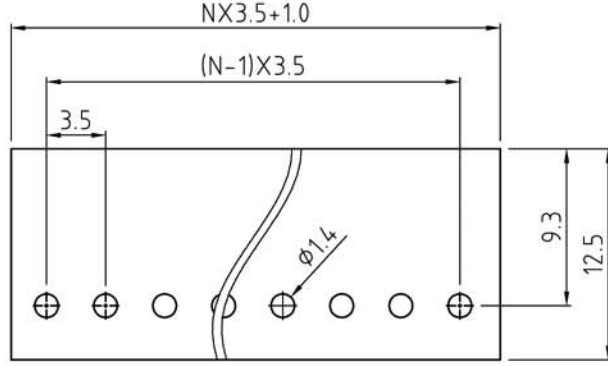
| SIGN | DESCRIPTION | DATE | APPROVER |
|------|----------------------------|----------|------------|
| △ | 变更前90度是F5103, 变更后90度是F5104 | YangMing | 2014.08.12 |



N=Number of contacts



P.C.B. LAYOUT



Technical Data:
 Material:
 Contact : Copper Alloy Tin plated
 Wire guard : stainless steel
 button : Polyamide(Glass filled)(UL94V-0)
 Insulator body(housing) : Polyamide(Glass filled)(UL94V-0)
 Electrical
 Voltage rating: 300VAC
 Current rating: 10 Amps/way max
 Contact resistance: 20mΩ(max)
 Withstanding Voltage: 2500VAC(1min) Test time=60sec/1pcs
 Wire Range:14-22Awg
 Mechanical:
 Operating temperature: -40°C to +105°C
 Soldering reliability:
 Test temperature= 250°C±10°C
 5 seconds max
 Ordering Information:
 △ F51-04-3-XX-2 0 X 0
 2 02 5 Green
 - - 6 Blue
 24 24 8 Grey
 A Black

WELINK 上海拓尔普电子科技有限公司
 Welink International Co., LTD.

| | | |
|--|--|--|
| TOLERANCE X. ±0.50 X.X ±0.30 X.XX ±0.20 X° ±1° | APPROVED: CHECKED: DRAWN: Yang Ming 2014.08.13 | NAME: F51-04 pitch 3.5mm - back tail type-90D series |
| UNITS: mm | REV: B | PART NO: F51043XX20X0 |
| SCALE: 3 / 1 | PAGE: 1 / 1 | DWG NO: 9F5104321B |