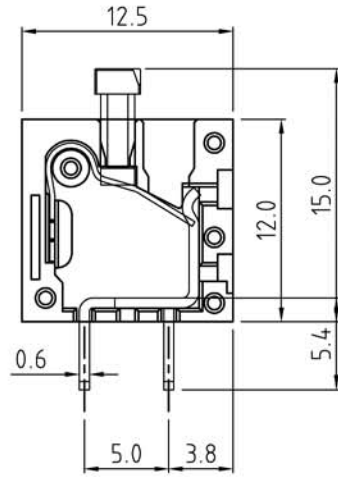
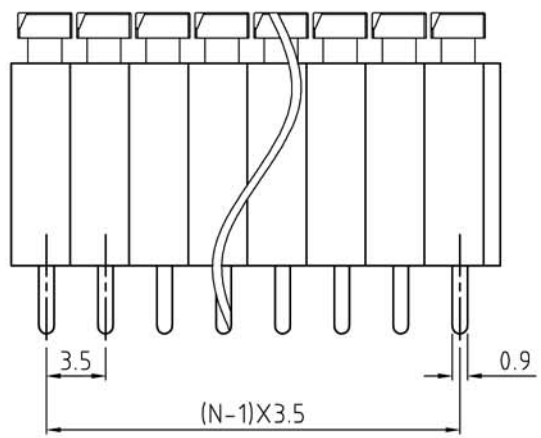
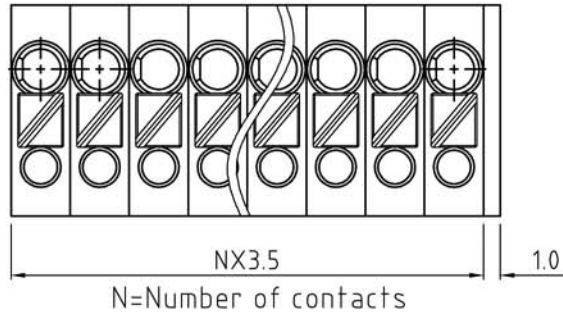
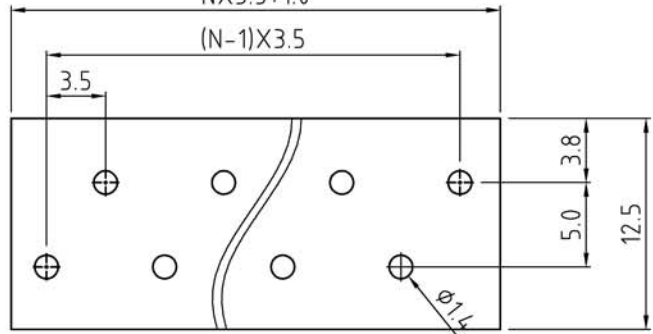


SIGN	DESCRIPTION	DATE	APPROVER
△	变更前180度是F5104, 变更后180度是F5103	YangMing	2014.08.13



P.C.B. LAYOUT
NX3.5+1.0



Technical Data:

Material:

Contact : Copper Alloy Tin plated

Wire guard : stainless steel

button : Polyamide(Glass filled)(UL94V-0)

Insulator body(housing) : Polyamide(Glass filled)(UL94V-0)

Electrical

Voltage rating: 300VAC

Current rating: 10 Amps/way max

Contact resistance: 20mΩ(max)

Withstanding Voltage: 2500VAC(1min) Test time=60sec/1pcs

Wire Range:14-22Awg

Mechanical:

Operating temperature: -40°C to +105°C

Soldering reliability:

Test temperature= 250°C±10°C

5 seconds max

Ordering Information:

△ F51 -03-3 -XX - 0 0 X 0

- | | | | |
|----|----|---|-------|
| 2 | 02 | 5 | Green |
| - | - | 6 | Blue |
| 24 | 24 | 8 | Grey |
| | | A | Black |

WELINK 上海拓尔普电子科技有限公司
Welink International Co., LTD.

TOLERANCE X. ±0.50 X.X ±0.30 X.XX ±0.20 X° ±1°	APPROVED:	NAME: F51-03 pitch 3.5mm - double row interlace type -180D series
	CHECKED:	
	DRAWN: Yang Ming 2014.08.13	
	UNITS: mm	REV: B
	SCALE: 3 / 1	PAGE: 1 / 1
		PART NO: F51033XX00X0
		DWG NO: 9F5103301B