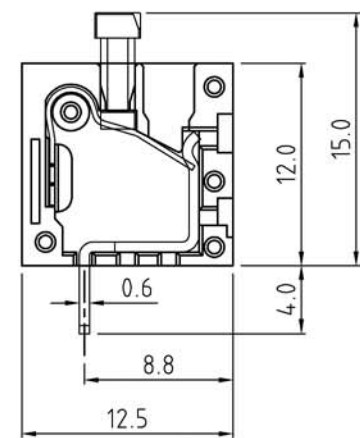
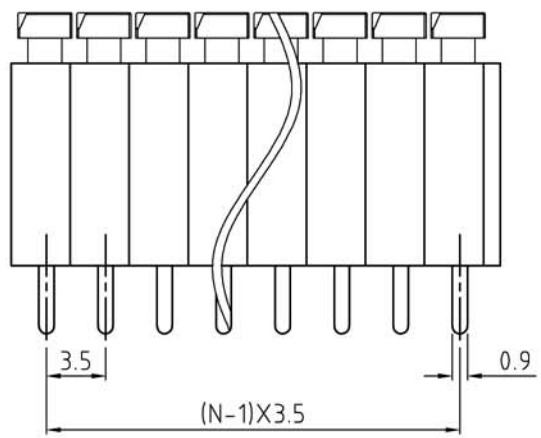
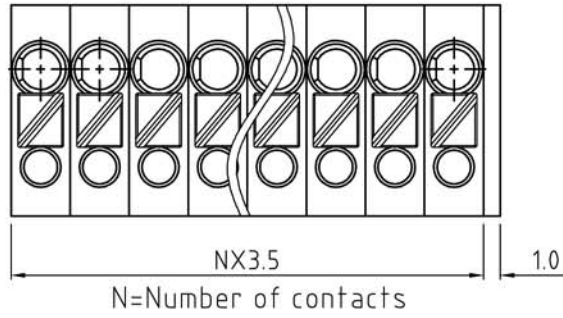


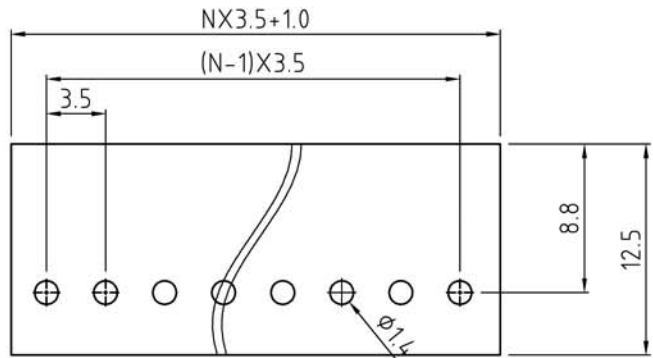
SIGN	DESCRIPTION	DATE	APPROVER
△	变更前180度是F5104, 变更后180度是F5103	YangMing	2014.08.13



Technical Data:
 Material:
 Contact : Copper Alloy Tin plated
 Wire guard : stainless steel
 button : Polyamide(Glass filled)(UL94V-0)
 Insulator body(housing) : Polyamide(Glass filled)(UL94V-0)
 Electrical
 Voltage rating: 300VAC
 Current rating: 10 Amps/way max
 Contact resistance: 20mΩ(max)
 Withstanding Voltage: 2500VAC(1min) Test time=60sec/1pcs
 Wire Range:14-22Awg
 Mechanical:
 Operating temperature: -40°C to +105°C
 Soldering reliability:
 Test temperature= 250°C±10°C
 5 seconds max
 Ordering Information:
 △ F51-03-3-XX-3 0 X 0

- | | | | |
|----|----|---|-------|
| 2 | 02 | 5 | Green |
| - | - | 6 | Blue |
| 24 | 24 | 8 | Grey |
| | | A | Black |

P.C.B. LAYOUT



WELINK 上海拓尔普电子科技有限公司
 Welink International Co., LTD.

TOLERANCE X. ±0.50 X.X ±0.30 X.XX ±0.20 X° ±1°	APPROVED: CHECKED: DRAWN: Yang Ming 2014.08.13	NAME: F51-03 pitch 3.5mm - back tail type -180D series
UNITS: mm	REV: B	PART NO: F51033XX30X0
SCALE: 3 / 1	PAGE: 1 / 1	DWG NO: 9F5103331B