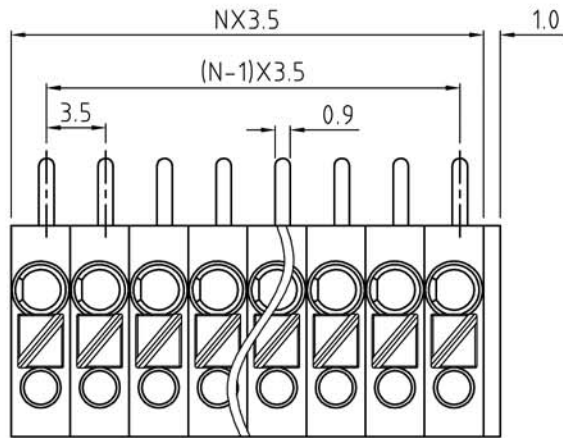
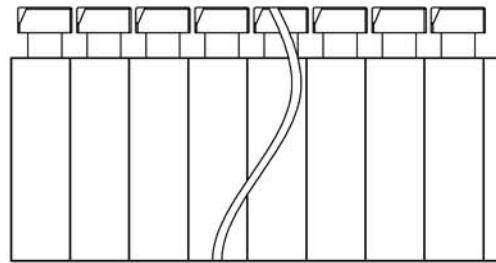


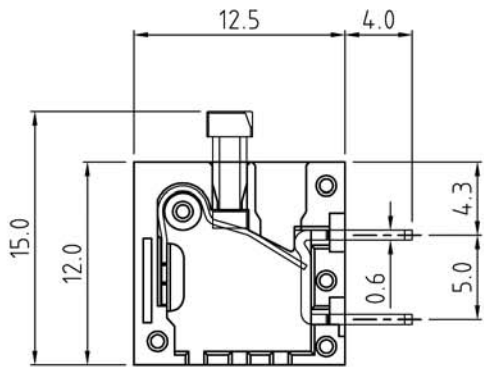
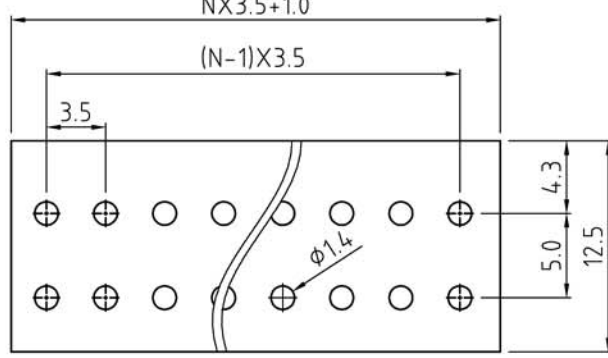
SIGN	DESCRIPTION	DATE	APPROVER
△	变更前90度是F5103, 变更后90度是F5104	YangMing	2014.08.12



N=Number of contacts



P.C.B. LAYOUT



Technical Data:
Material:
Contact : Copper Alloy Tin plated
Wire guard : stainless steel
button : Polyamide(Glass filled)(UL94V-0)
Insulator body(housing) : Polyamide(Glass filled)(UL94V-0)
Electrical
Voltage rating: 300VAC
Current rating: 10 Amps/way max
Contact resistance: 20mΩ(max)
Withstanding Voltage: 2500VAC(1min) Test time=60sec/1pcs
Wire Range:14-22Awg
Mechanical:
Operating temperature: -40°C to +105°C
Soldering reliability:
Test temperature= 250°C±10°C
5 seconds max
Ordering Information:
△F51 -04-3 -XX -3 0 X 0

2	02	5	Green
-	-	6	Blue
24	24	8	Grey
		A	Black

WELINK 上海拓尔普电子科技有限公司
Welink International Co., LTD.

TOLERANCE X. ±0.50 X.X ±0.30 X.XX ±0.20 X° ±1°	APPROVED: CHECKED: DRAWN: Yang Ming 2014.08.13	NAME: F51-04 pitch 3.5mm -double row tail type -90D series
UNITS: mm	REV: B	PART NO: F51043XX30X0
SCALE: 3 / 1	PAGE: 1 / 1	DWG NO: 9F5104331B