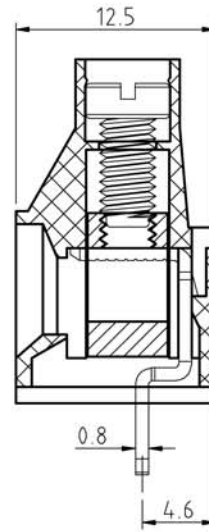
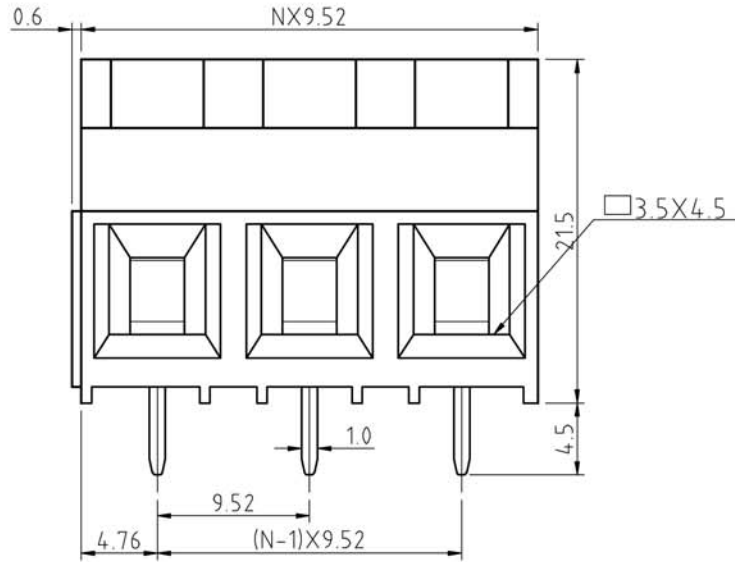
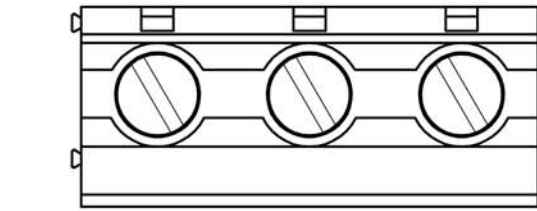
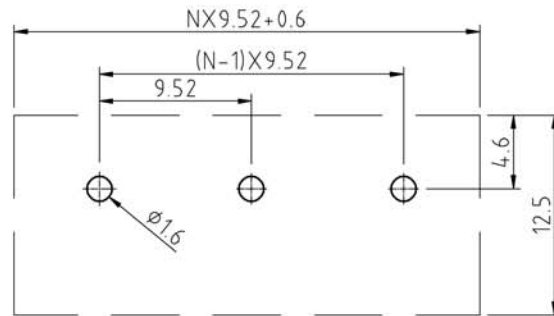


SIGN	DESCRIPTION	DATE	APPROVER



N=Number of contacts



P.C.B. LAYOUT

Technical Data:

Material:

Contact(metal housing): Copper Alloy Ni plated
Terminal screw: Steel galvanized with Cr3+ plated
Solder Pin: Copper Alloy with Tin plated
Insulator body(housing): Polyamide(UL94V-0)

Electrical

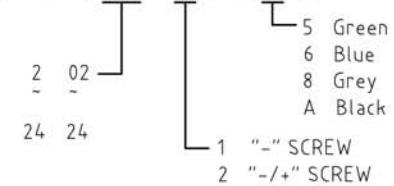
Voltage rating: 300VAC
Current rating: 30 Amps/way max
Contact resistance: $20m\Omega$ (max)
Withstanding Voltage: 2500VAC(1min) Test time=60sec/1pcs
Wire range: 10-26AWG

Mechanical:

Torque: 8kgf.cm/M3.5
Operating temperature: $-40^{\circ}C$ to $+105^{\circ}C$
Soldering reliability:
Test temperature= $250^{\circ}C \pm 10^{\circ}C$
5 seconds max

Ordering Information:

F36 - 1 - I XX - X 0 0 X 0



WELINK 上海拓尔普电子科技有限公司
Welink International Co., LTD.

TOLERANCE	APPROVED:	NAME: F36 - 1 - pitch 9.52mm
X: ± 0.50	CHECKED:	- series
X.X: ± 0.30	DRAWN: YangMing 2012,06,20	PART NO: F3611XX100X0
X.XX: ± 0.20	UNITS: mm REV: A	DWG NO: 9F3611000A
X°: $\pm 1^{\circ}$	SCALE: 3 / 1 PAGE: 1 / 1	