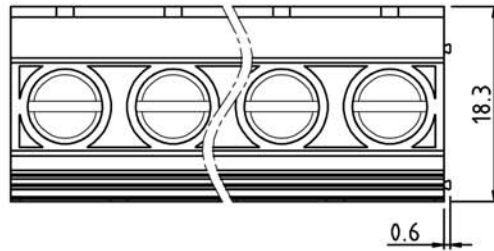
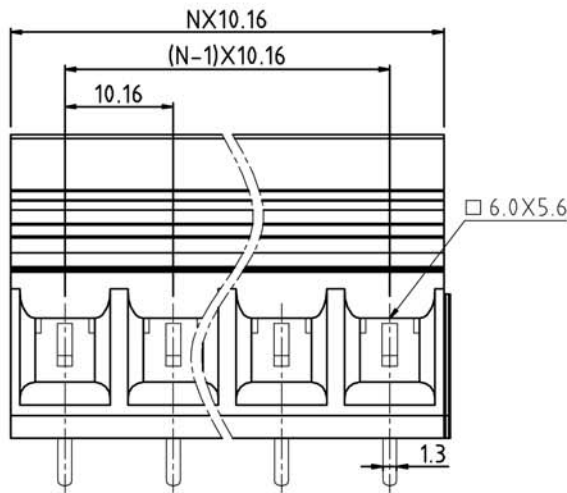


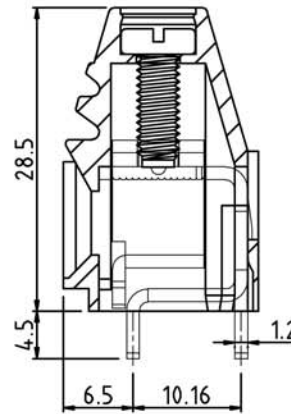
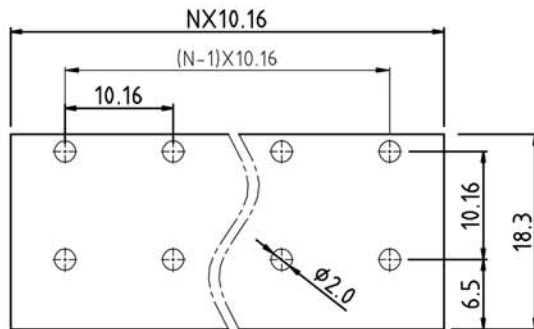
SIGN	DESCRIPTION	DATE	APPROVER



N=Number of contacts



P.C.B. LAYOUT



Technical Data:

Material:

Contact(metal housing): Steel galvanized with Cr3+ plated
Terminal screw: Steel galvanized with Cr3+ plated
Solder Pin: Copper Alloy with Tin plated
Insulator body(housing): Polyamide(UL94V-0)

Electrical

Voltage rating: 300VAC
Current rating: 64 Amps/way max
Contact resistance: 20mΩ (max)
Withstanding Voltage: 2500VAC(1min) Test time=60sec/1pcs
Wire range: 6-20AWG

Mechanical:

Torque: 16.0kgf.cm/M4
Operating temperature: -40°C to +105°C
Soldering reliability:
Test temperature= 250°C±10°C /5 seconds max

Ordering Information:

F36-5-K XX-X X 0 X 0

- 2 02
- 4 04
- 24 24
- 5 Green
- 6 Blue
- A Black
- 0 Double Row Double Pin
- 1 Single Row Single Pin
- 2 Single Row Double Pin
- 3 Double Row Four Pin
- 4 Single Row Four Pin
- 1 "-"Screw
- 2 "-/+Screw

WELINK 上海拓尔普电子科技有限公司
Welink International Co.,LTD.

TOLERANCE	APPROVED:	NAME:
X ±0.50	CHECKED:	F36 - 5 Pitch 10.16mm
X.X ±0.30	DRAWN: Yang Ming 2012,06,20	-Single Row Double
X.XX ±0.20	UNITS: mm REV: A	Pin Series
X° ±↑	SCALE: 2 / 1 PAGE: 1 / 1	PART NO: F365KXX120X0
		DWG NO: 9F365K001A