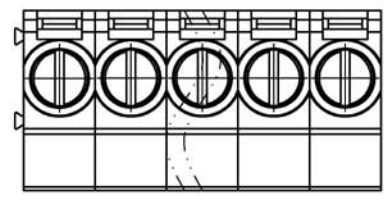
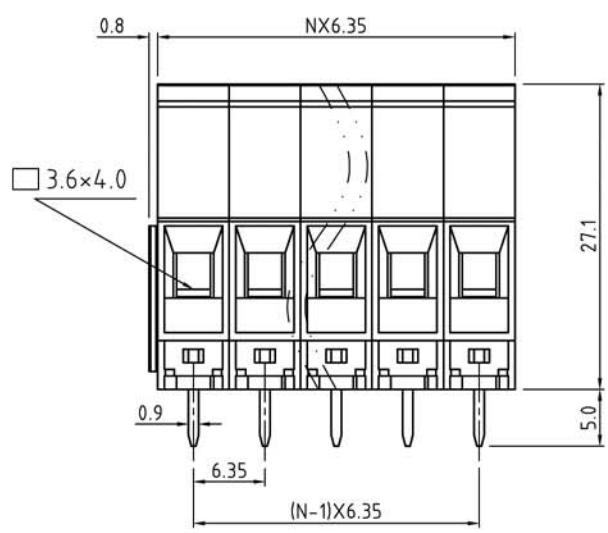


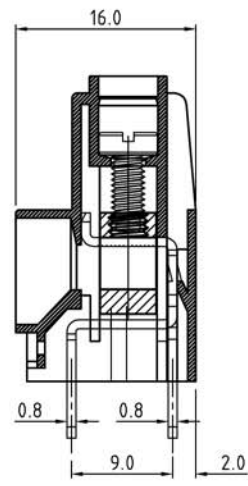
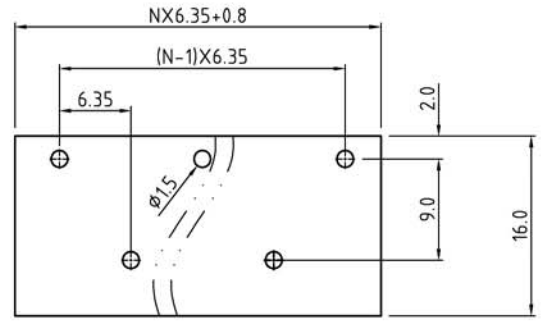
SIGN	DESCRIPTION	DATE	APPROVER



N=Number of contacts



P.C.B. LAYOUT



Technical Data:

Material:

- Contact(metal housing): Steel galvanized with Cr3+ plated
- Terminal screw: Steel galvanized with Cr3+ plated
- Solder Pin: Copper Alloy with Tin plated
- Insulator body(housing): Polyamide(UL94V-0)

Electrical

- Voltage rating: 600VAC
- Current rating: 5 Amps/way max
- Contact resistance: 20mΩ (max)
- Withstanding Voltage: 2500VAC(1min) Test time=60sec/1pcs
- Wire range: 6-20AWG

Mechanical:

- Torque: 16.0kgf.cm/M4
- Operating temperature: -40°C to +105°C
- Soldering reliability:

Test temperature= 250°C±10°C /5 seconds max

Ordering Information:

F36-4-F XX-X 0 0 X 0 000

- 2 02 5 Green
- 4 04 6 Blue
- 24 24 A Black
- 0 Solder pins staggered by half pin
- 1 Front Single row
- 2 After a row
- 1 "-"Screw
- 2 "-/+"Screw

WELINK 上海拓尔普电子科技有限公司
Welink International Co., LTD.

TOLERANCE	APPROVED:	NAME: F36 - 4 Pitch 6.35mm
X. ±0.50	CHECKED:	Series(Solder pins staggered by half pin)
X.X ±0.30	DRAWN: YangMing 2015,08.24	PART NO: F364FXXX00X0000
X.XX ±0.20	UNITS: mm REV: A	DWG NO: 9F364F101A
X° ±1°	SCALE: 2 / 1 PAGE: 1 / 1	