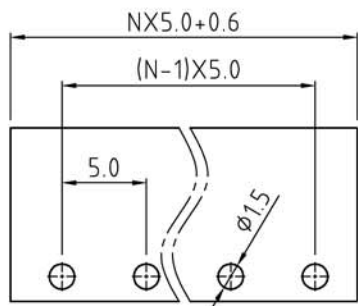
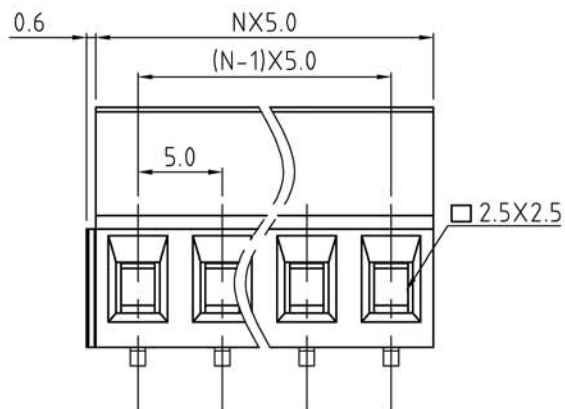
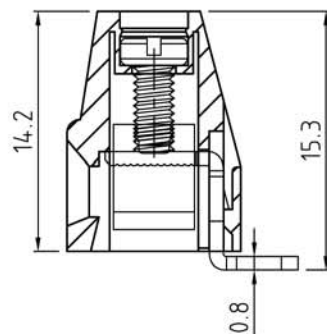


N=Number of contacts



P.C.B. LAYOUT



SIGN	DESCRIPTION	DATE	APPROVER

Technical Data:

Material:

- Contact(metal housing): Copper Alloy Ni plated
- Terminal screw: Steel galvanized and with Cr3+ plated
- Solder Pin: Copper Alloy Tin plated
- Insulator body(housing): Polyamide(UL94V-0)

Electrical

- Voltage rating: 300VAC
- Current rating: 16 Amps/way max
- Contact resistance: 20mΩ (max)
- Withstanding Voltage: 2500VAC(1min) Test time=60sec/1pcs
- Wire range: 12-30AWG

Mechanical:

- Torque: 4.5kgf.cm/M3.0
- Operating temperature: -40°C to +105°C
- Soldering reliability: Test temperature= 250°C±10°C /5 seconds max

Ordering Information:

F35-A-5 XX-X 0 0 X 0 0 0 0

2 02      5 GREEN  
 4 04      6 BLUE  
 24 24

0 180°  
 1 90°

1 "-SCREW  
 2 "-/+SCREW

**WELINK** 上海拓尔普电子科技有限公司  
 Welink International Co., LTD.

TOLERANCE X. ±0.50 X.X ±0.30 X.XX ±0.20 X° ±1°	APPROVED:	NAME: F35-A Pitch 5.0mm Series-90D
	CHECKED:	
	DRAWN: Yang Ming 2012,06,20	
	UNITS: mm	REV: A
	SCALE: 3 / 1	PAGE: 1 / 1
		PART NO: F35A5XX110X0000
		DWG NO: 9F35A5001A