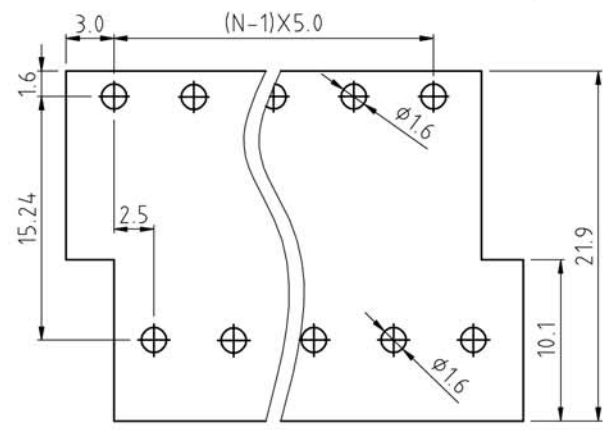
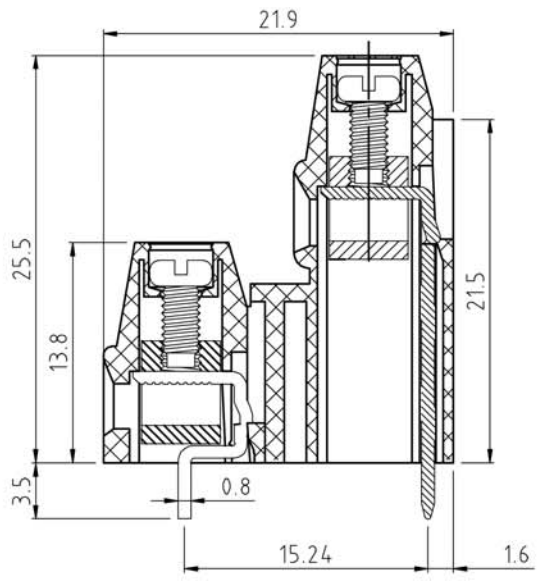
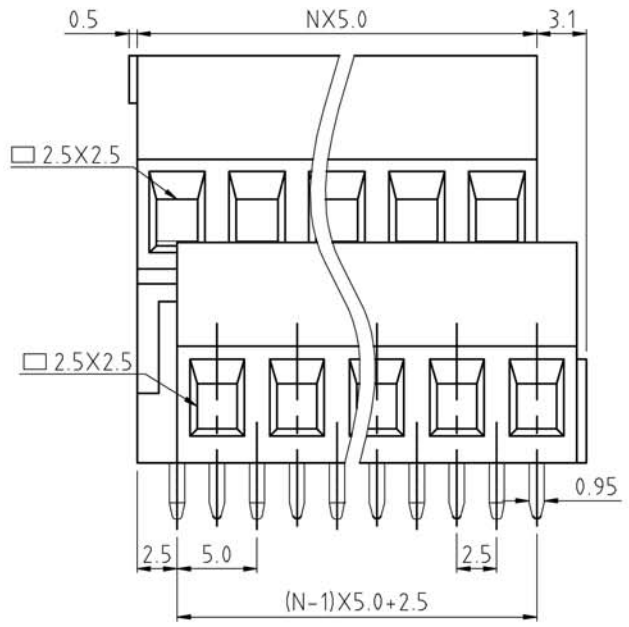


N=Number of conacts



P.C.B. LAYOUT



SIGN	DESCRIPTION	DATE	APPROVER

Technical Data:
 Material:
 Contact(metal housing): Copper Alloy Ni plated
 Terminal screw: Steel galvanized with Cr3+ plated
 Solder Pin: Copper Alloy with Tin plated
 Insulator body(housing): Polyamide(UL94V-0)

Electrical
 Voltage rating: 300VAC
 Current rating: 16 Amps/way max
 Contact resistance: 20mΩ(max)
 Withstanding Voltage: 2500VAC(1min) Test time=60sec/1pcs
 Wire range: 12-30AWG

Mechanical:
 Torque: 4.5kgf.cm/M2.5
 Operating temperature: -40°C to +105°C
 Soldering reliability:
 Test temperature= 250°C±10°C
 5 seconds max

Ordering Information:
 F35 - 7 - 5 XX - X 0 0 X 0

2 02 | 5 Green
 - - | 6 Blue
 24 24 | 8 Grey
 | A Black

1 "-" SCREW
 2 "-/+ " SCREW

WELINK 上海拓尔普电子科技有限公司
 Welink International Co.,LTD.

TOLERANCE	APPROVED:	NAME: F35 - 7 - pitch 5.0mm
X ±0.50	CHECKED:	- series
X.X ±0.30	DRAWN: Yang Ming 2012,06,20	PART NO: F3575XX100X0
X.XX ±0.20	UNITS: mm REV: A	DWG NO: 9F3575001A
X° ±1°	SCALE: 3 / 1 PAGE: 1 / 1	