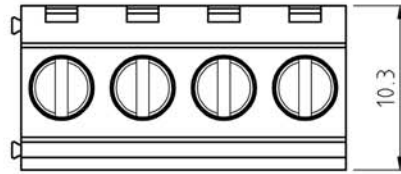
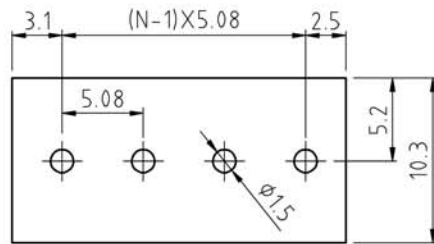
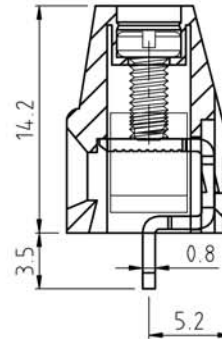
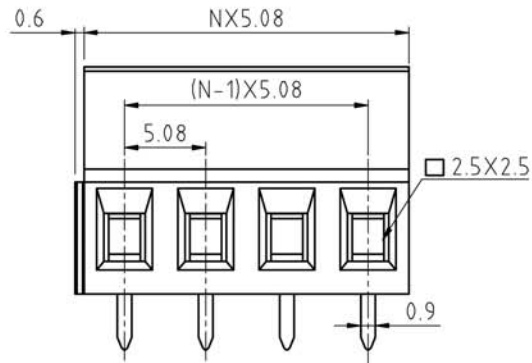


SIGN	DESCRIPTION	DATE	APPROVER



N=Number of contacts



P.C.B. LAYOUT

Technical Data:

Material:

Contact(metal housing): Copper Alloy Ni plated
Terminal screw: Steel galvanized and with Cr3+ plated
Solder Pin: Copper Alloy Tin plated
Insulator body(housing): Polyamide(UL94V-0)

Electrical

Voltage rating: 300VAC
Current rating: 16 Amps/way max
Contact resistance: 20m Ω (max)
Withstanding Voltage: 2500VAC(1min) Test time=60sec/1pcs
Wire range: 12-30AWG

Mechanical:

Torque: 4.5kgf.cm/M2.5
Operating temperature: -40°C to +105°C
Soldering reliability:
Test temperature= 250°C \pm 10°C /5 seconds max

Ordering Information:

F35-A-E XX-X 0 0 X 0

2 02 5 GREEN
4 04 6 BLUE
24 24 1 "-SCREW
2 "-/+SCREW

WELINK 上海拓尔普电子科技有限公司
Welink International Co.,LTD.

TOLERANCE X ± 0.50 X.X ± 0.30 X.XX ± 0.20 X° $\pm 1^\circ$	APPROVED:	NAME: F35-A Pitch 5.08mm Series
	CHECKED:	
	DRAWN: Yang Ming 2012,06,20	
	UNITS: mm	REV: A
	SCALE: 3 / 1	PAGE: 1 / 1
		PART NO: F35AEXX10050
		DWG NO: 9F35AE001A