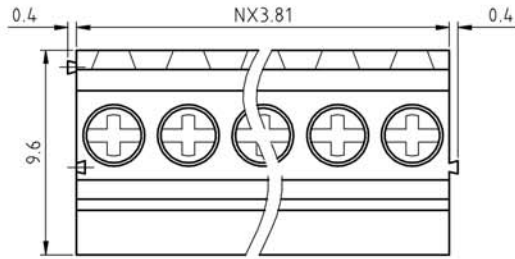
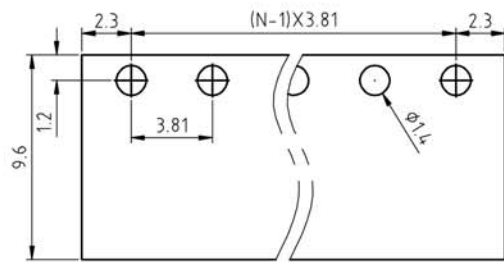
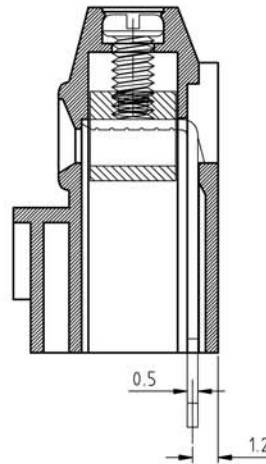
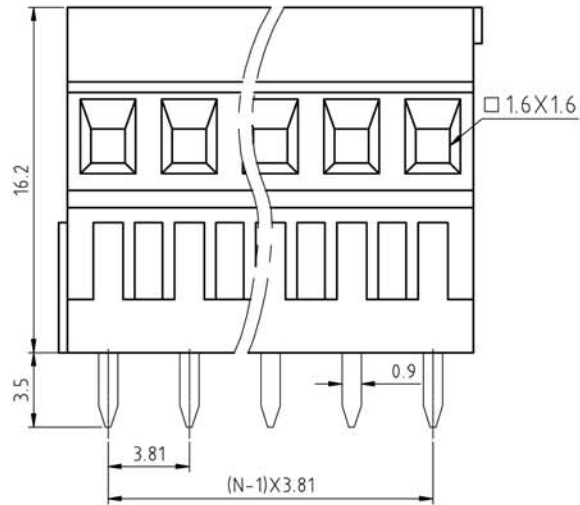


SIGN	DESCRIPTION	DATE	APPROVER



N=Number of contacts



P.C.B. LAYOUT

Technical Data:

Material:

- Contact(metal housing): Copper Alloy with Ni plated
- Terminal screw: Steel galvanized with Cr3+ plated
- Solder Pin: Copper Alloy with Tin plated
- Insulator body(housing): Polyamide(UL94V-0)

Electrical

- Voltage rating: 300VAC
- Current rating: 10 Amps/way max
- Contact resistance: 20mΩ(max)
- Withstanding Voltage: 2500VAC(1min) Test time=60sec/1pcs
- Wire range: 16-30AWG

Mechanical:

- Torque: 2kgf.cm/M2
- Operating temperature: -40°C to +105°C
- Soldering reliability:
 - Test temperature= 250°C±10°C
 - 5 seconds max

Ordering Information:

F33 - 2 - C XX - X 0 0 X 0

- 2 02
- 24 24
- 5 Green
- 6 Blue
- 8 Grey
- A Black
- 1 "-" SCREW
- 2 "-/+" SCREW

WELINK 上海拓尔普电子科技有限公司
Welink International Co., LTD.

TOLERANCE	APPROVED:	NAME:
X ±0.50	CHECKED:	F33 - 2 - pitch 3.81mm
X.X ±0.30	DRAWN: Yang Ming 2012,06,20	- series
X.XX ±0.20	UNITS: mm	PART NO: F332CXXX00X1
X° ±1°	REV: A	DWG NO: 9F332C001A
⊕	SCALE: 4 / 1	PAGE: 1 / 1