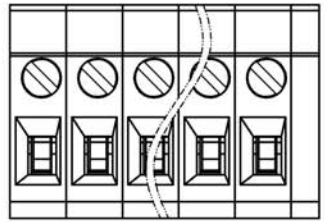
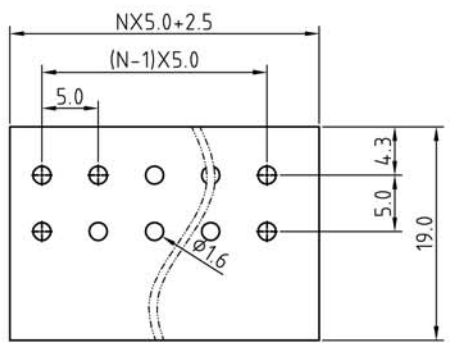
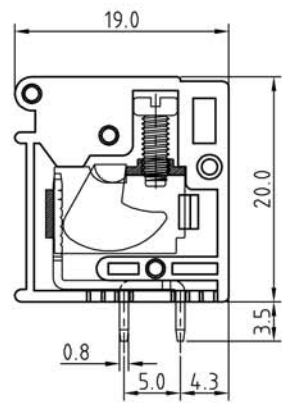
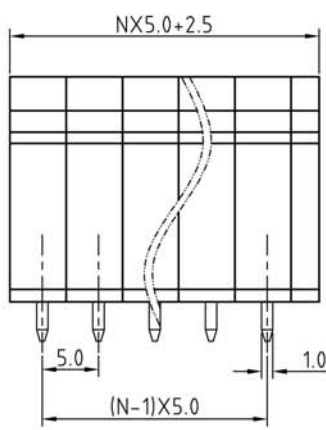


SIGN	DESCRIPTION	DATE	APPROVER



N=Number of contacts



P.C.B. LAYOUT

Technical Data:

Material:

- Contact(metal housing): Brass Machined(option)
- Terminal screw: Steel galvanized with Cr3+ plated
- Insulator body(housing): Polyamide(Glass filled)(UL94V-0)

Electrical

- Voltage rating: 300VAC
- Current rating: 20 Amps/way max
- Contact resistance: 20mΩ(max)
- Insulation resistance: 5000MΩ /1000V
- Withstanding Voltage: 2500VAC(1min) Test time=60sec/1pcs
- Wire range: 12-22AWG

Mechanical:

- Torque: 4.0kgf.cm/M2.5
- Operating temperature: -33°C to +120°C
- Soldering reliability: Test temperature= 250°C±10°C, 5 seconds max

Ordering Information:

F15 - 1 - 5 XX - X 0 0 X 0

- 2 02
- -
- 24 24
- 5 Green
- 6 Blue
- 8 Grey
- A Black
- 1 "-" SCREW
- 2 "-/+ " SCREW

WELINK 上海拓尔普电子科技有限公司
Welink International Co., LTD.

TOLERANCE	APPROVED:	NAME: F15 - 1 - pitch 5.0mm
X. ±0.50	CHECKED:	- series
X.X ±0.30	DRAWN: Ling Yu	2014,06,11
X.XX ±0.20	UNITS: mm	REV: A
X° ±1°	SCALE: 2 / 1	PAGE: 1 / 1
		PART NO: F1515XX10050
		DWG NO: 9F1515001A