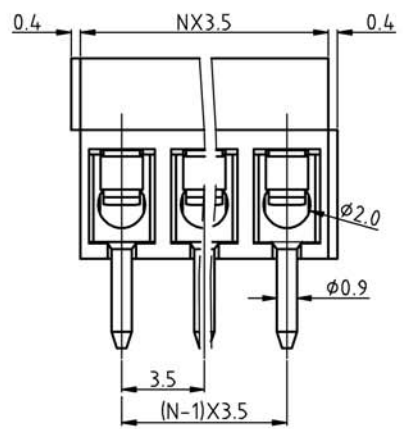
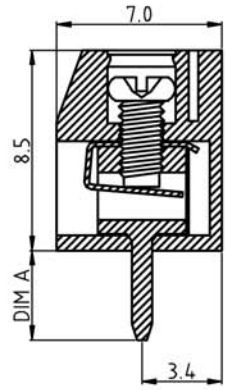


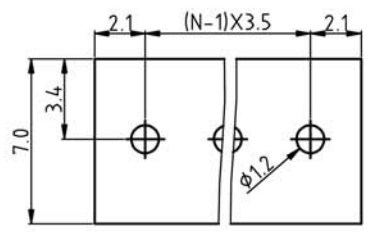
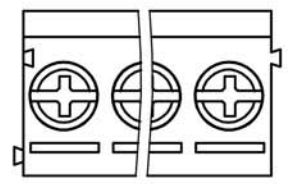
SIGN	DESCRIPTION	DATE	APPROVER



N=Number of contacts



VOTE	
DIMA	Left
0	3.8
1	4.2



P.C.B. LAYOUT

Technical Data:

Material:

- Terminal: Copper Alloy Tin plated
- screw: Steel galvanized and with Cr3+ plated
- Wire guard: Stainless steel
- Insulator body(housing): Polyamide(UL94V-0)

Electrical

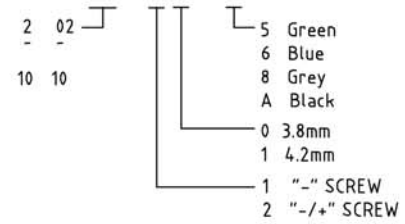
- Voltage rating: 150VAC
- Current rating: 10 Amps/way max
- Contact resistance: 20mΩ(max)
- Withstanding Voltage: 2000VAC(1min) Test time=60sec/1pcs
- Wire range: 16-30AWG

Mechanical:

- Torque: 2.0kgf.cm/M2
- Operating temperature: -40°C to +105°C
- Soldering reliability:
 - Test temperature= 250°C±10°C
 - 5 seconds max

Ordering Information:

F13 - 1 - 3 XX - X X 0 X 0



WELINK 上海拓尔普电子科技有限公司
Welink International Co., LTD.

TOLERANCE	APPROVED:	NAME: F13 - 1 - pitch 3.5mm
X. ±0.50	CHECKED:	- series
X.X ±0.30	DRAWN: Yang Ming 2012,06,20	
X.XX ±0.20	UNITS: mm	PART NO: F1313XX200X0
X° ±1°	REV: A	DWG NO: 9F1313001A
⊕	SCALE: 5 / 1	PAGE: 1 / 1